
CATALOG

InLine II

ZUBM/ZLBM/ZHBM/BZL/BZH

Fuse switch disconnectors



Contents

4–11	InLine II Designed for the future
12–33	Ordering information
34–39	Quick selection of cable terminations and cable shrouds
40–45	Technical data
46–72	Dimension drawings



InLine II

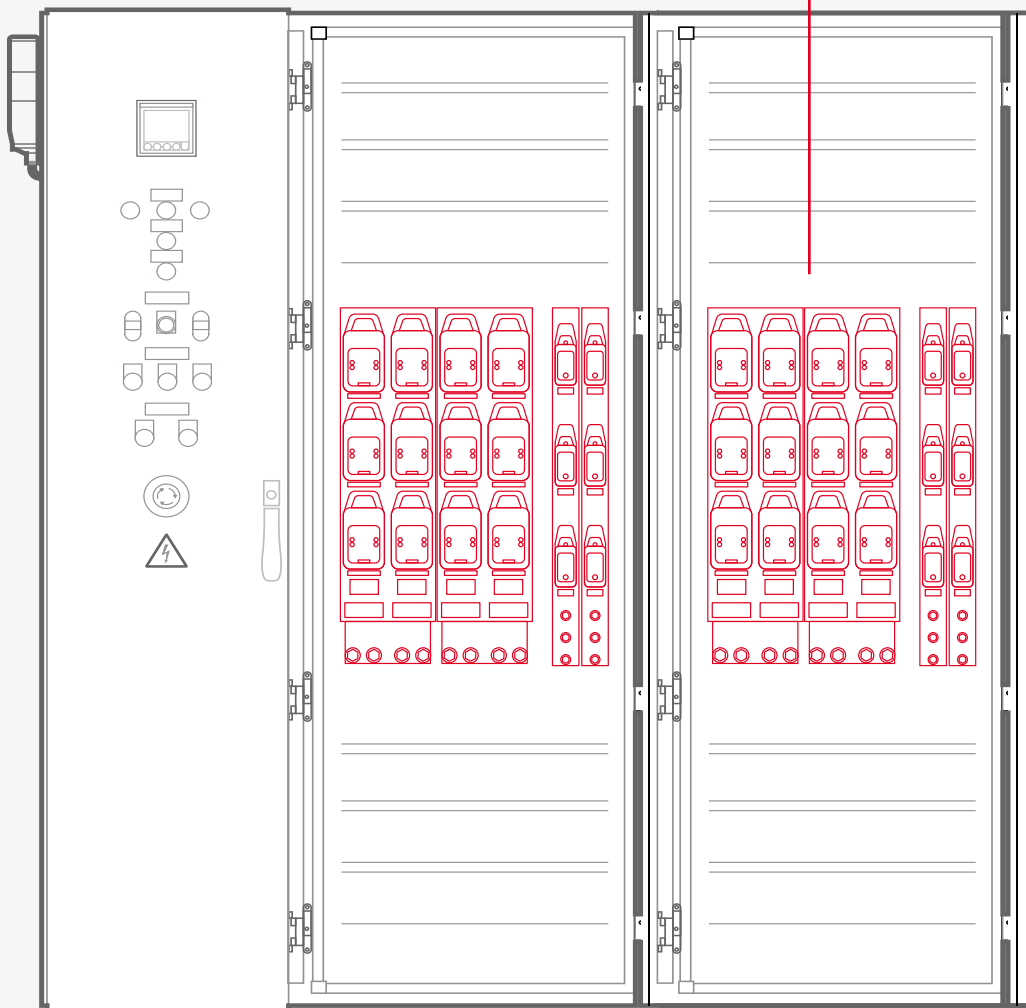
- 6** **Designed for the future**
- 8** **Safety and protection**
- 9** **Easy to install with space saving features**
- 10** **Continuous operation**
- 11** **ZLBM/ZHBM/ZUBM**

InLine II

Designed for the future

InLine II covers a wide range of distribution applications from single panels to industrial, residential and commercial buildings.

**Easy to install – flexible installation
and possibility to customize
the product according to needs.**





InLine II

InLine II is technically reliable and proven solution for demanding conditions. With a wide range of accessories and cable terminal connections InLine II guarantees the highest amount of safety and stability in a power distribution network.



Safety and protection
InLine II is safe to work with

The front windows can be slid up to give access for safe voltage measurement at the fuse contacts. There is also a separate position for safe and efficient replacement of fuses. The cover can also be padlocked to avoid unadmitted operation.



Easy to install
Flexible installation and possibility to customize

InLine II is adaptable according to features needed and the space available. There is a version for Distribution Cabinets that need more space saving solutions and a version that enables easy integration of current transformers at the back. InLine II offers a wide variety of accessories and cable terminals, and it is also suitable for vertical and horizontal installations.



Continuous operation
High performance and easy serviceability

An integrated ventilation channel at the side of the body supports the air ventilation upwards between the air ventilation upwards between the switches when they are installed side by side. Status information about fuses is easily seen from the electronic fuse monitoring (EFM) module and it gives an alarm if there are any faults or if fuses are blown.

InLine II

Safety and protection

InLine II is designed to be as safe as possible. Special features cover voltage measurement, replacement of fuses and padlocking and sealing to ensure personal safety and to avoid unadmitted operation.

Easy access for voltage measurement

The front windows can be slid up to give access for voltage measurement at the fuse contacts. This enables fast and safe solution for voltage measurement with standard equipment.

Safe and efficient replacement of fuses

The cover has a separate 'Replacement of fuses' position. This position brings the fuses out safely from parts under live voltage to give space and safety.

Padlocking and sealing

To avoid unadmitted operation, each front cover can be padlocked with up to 2 padlocks per phase, or up to 3 padlocks per phase by using the padlock hasp. The front covers of the 1-pole variants can be placed in park position with the possibility to be padlocked.

Degree of protection IP30

InLine II fuse switch disconnectors have a degree of protection IP30 from the front.



—
Release button



InLine II

Easy to install with space saving features

InLine II offers a wide variety of accessories and cable terminals which guarantees flexible installation and possibility to customize the product according to needs.

Space saving

InLine II has two different body sizes which makes it adaptable according to features needed and the space available. The reduced depth of 121 mm is suitable for Cable Distribution Cabinets and the version of 154 mm enables easy integration of current transformers at the back.

Universal terminal bolts or V-clamps

Variants with integrated V-clamps and universal terminal bolts make the connection easy for all types of cables. The ZLBM/ZHBM 123 are delivered with standing M12 bolts at the cable terminals as standard. The nut and the bolt can easily be exchanged if there is a need to insert the M12 bolt from the front. The ZLBM/ZHBM 00/123 can be delivered with integrated V-clamps.

Designed for different busbar systems

The variant 00-100 is suitable for 100 mm busbar systems.

The rest of the variants are suitable for installation at busbars with 185 mm distance.

ZLBM with reduced depth



ZHBM depth, +32,5mm



InLine II

Continuous operation

Good performance and easy serviceability of the InLine II ensures a high level of stability in the electrical distribution network. There are features for optimized ventilation and electronic monitoring to ensure continuous performance in all conditions.

Suitable for demanding applications

Available as 160A, 250A, 400A and 630A types in combination with NH/DIN HRC Fuse Links according to EN/IEC 60269. InLine II has been type tested in accordance to EN/IEC 60947-3. The variants BZL and BZM have current ratings up to 2500 Amperes.

Electronic fuse monitoring (EFM)

Versions with Electronic Fuse Monitoring are available. The EFM module shows status information for the fuses in the InLine II product. The status can be controlled from a control center or just looking at the product. The EFM gives an alarm if there are any faults or if fuses are blown. Easy indication of a blown fuse can be detected by looking if the light inside the product is green or red.

Optimized ventilation

InLine II has been designed to give the most optimized ventilation of the switches. An integrated ventilation channel at the side of the body will also support the air ventilation upwards between the switches when they are installed side by side.

EFM for ZLBM123



Fuse switch disconnectors and Rails

ZLBM/ZHBM/ZUBM

InLine II offers a wide variety of accessories and cable terminals which guarantees flexible installation and possibility to customize the product according to needs.

- NH00-3 / 160A-630A 1 and 3-pole switch disconnectors
- Double NH2-3 / 800-1250A 1 and 3-pole switch disconnectors
- NH00-3 / 160A-630A fuse rails
- 1250-2000A switch disconnectors
- 910A fuse switch disconnectors
- Buscouplers





Ordering information

14	Fuse switch disconnectors
15	ZLBM Fuse switch disconnectors
16	ZLBM Fuse switch disconnectors with EFM
17	ZLBM Fuse switch disconnectors
18	ZLBM Fuse switch disconnectors with EFM
19	ZHBM Fuse switch disconnectors
20	ZHBM Fuse switch disconnectors with EFM
21	BZL/BZH switch disconnectors
22	ZUBM Fuse rails
23	Bus couplers ZUBM, ZLBM and BZH
24–31	ZLBM/ZHBM - Accessories
32	ZUBM Fuse rails and Z busbars, ZLBM/ZHBM - Accessories
33	Z-busbar system and accessories

Ordering information

Fuse switch disconnectors

ZLBM - 1-pole, Depth 121 mm

Type	Ie [A]	Description	Order code	Weight [kg]
Basic versions				
ZLBM00-1P-M8	160	3 x M8 Bolts	1SEP620010R1000	1,75
ZLBM00-1P-V	160	3 x V-Clamps	1SEP620010R1020	1,9
ZLBM1-1P-M12	250	3 x M12 Universal Bolts	1SEP620011R1000	3,56
ZLBM1-1P-V	250	3 x V-Clamps	1SEP620011R1020	3,56
ZLBM2-1P-M12	400	3 x M12 Universal Bolts	1SEP620012R1000	4,04
ZLBM2-1P-V	400	3 x V-Clamps	1SEP620012R1020	4,02
ZLBM3-1P-M12	630	3 x M12 Universal Bolts	1SEP620013R1000	4,65
ZLBM3-1P-V	630	3 x V-Clamps	1SEP620013R1020	4,65
ZLBM800A-1P-M12	800	12 x M12 Universal Bolts	1SEP620014R1000	11,2
ZLBM910A-1P-M12	910	2 x 3 M12 bolts	1SEP620053R1000	9,3
ZLBM910A-1P-M12-MB	910	2 x 3 M12 bolts, connection on rear side	1SEP620053R1050	7
Long terminal cover, 3U shaped busbar versions				
ZLBM00-1P-3U-M8	160	3 x M8 Bolts	1SEP620170R1200	1,75
ZLBM1-L-1P-3U-M12	250	3 x M12 Universal Bolts	1SEP620171R1200	3,56
ZLBM2-L-1P-3U-M12	400	3 x M12 Universal Bolts	1SEP620172R1200	4,04
ZLBM3-L-1P-3U-M12	630	3 x M12 Universal Bolts	1SEP620173R1200	4,65



ZLBM00-1P



ZLBM123-1P



ZLBM800A-1P



ZLBM910A-1P

Ordering information

ZLBM Fuse switch disconnectors

ZLBM - 3-pole, Depth 121 mm

Type	Ie [A]	Description	Order code	Weight [kg]
ZLBM00 3-pole, 100 mm busbar distance. Cable shroud included.				
ZLBM00-100-3P-M8	160	3 x M8 Bolt	1SEP620150R3000	1,04
Basic versions				
ZLBM00-3P-M8	160	3 x M8 Bolts	1SEP620010R3000	1,82
ZLBM00-3P-V	160	3 x V-Clamps	1SEP620010R3020	1,97
ZLBM1-3P-M12	250	3 x M12 Universal Bolt	1SEP620011R3000	3,63
ZLBM1-3P-V	250	3 x V-Clamps	1SEP620011R3020	3,64
ZLBM2-3P-M12	400	3 x M12 Universal Bolt	1SEP620012R3000	4,13
ZLBM2-3P-V	400	3 x V-Clamps	1SEP620012R3020	4,12
ZLBM3-3P-M12	630	3 x M12 Universal Bolt	1SEP620013R3000	4,73
ZLBM3-3P-V	630	3 x V-Clamps	1SEP620013R3020	4,72
ZLBM800A-3P-M12	800	12 x M12 Universal Bolts	1SEP620014R3000	11,1
ZLBM800A-3P-V	800	12 x V-Clamps	1SEP620014R3020	11,3
ZLBM910A-3P-M12	910	2 x 3 M12 bolts	1SEP620053R3000	9,5
ZLBM910A-3P-M12-MB	910	2 x 3 M12 bolts, connection on rear side	1SEP620053R3050	7,3
ZLBM1250A-3P-M12	1250	12 x M12 Universal Bolt	1SEP620015R3000	12,25
ZLBM1250A-3P-V	1250	12 x V-Clamps	1SEP620015R3020	12,5
Without V-Clamps				
ZLBM00-3P-NOV	160	Without V-Clamps	1SEP620010R3010	1,97
ZLBM1-3P-NOV	250	Without V-Clamps	1SEP620011R3010	3,63
ZLBM2-3P-NOV	400	Without V-Clamps	1SEP620012R3010	4,12
ZLBM3-3P-NOV	630	Without V-Clamps	1SEP620013R3010	4,72
Long terminal cover, 3U shaped busbar versions				
ZLBM00-3P-3U-M8	160	3 x M8 Bolts	1SEP620170R3200	1,82
ZLBM1-L-3P-3U-M12	250	3 x M12 Universal Bolts	1SEP620171R3200	3,63
ZLBM2-L-3P-3U-M12	400	3 x M12 Universal Bolts	1SEP620172R3200	4,13
ZLBM3-L-3P-3U-M12	630	3 x M12 Universal Bolts	1SEP620173R3200	4,73



ZLBM00-100



ZLBM00-3P



ZLBM123-3P



ZLBM910A-3P



ZLBM910A-3P-M12-MB

Ordering information

ZLBM Fuse switch disconnectors with EFM

ZLBM - 1 and 3-pole, Depth 121 mm, with EFM

ZLBM fuse switch disconnectors can be equipped with an Electronic Fuse Monitor (EFM).

The items in this table include a factory-mounted EFM.

Type	Ie [A]	Description	Order code	Weight [kg]
1-pole versions				
ZLBM00-1P-M8-EFM	160	3 x M8 Bolt	1SEP620010R1001	1,95
ZLBM00-1P-V-EFM	160	3 x V-Clamps	1SEP620010R1021	2,2
ZLBM1-1P-M12-EFM	250	3 x M12 Universal Bolt	1SEP620011R1001	3,76
ZLBM1-1P-V-EFM	250	3 x V-Clamps	1SEP620011R1021	3,76
ZLBM2-1P-M12-EFM	400	3 x M12 Universal Bolt	1SEP620012R1001	4,24
ZLBM2-1P-V-EFM	400	3 x V-Clamps	1SEP620012R1021	4,22
ZLBM3-1P-M12-EFM	630	3 x M12 Universal Bolt	1SEP620013R1001	4,85
ZLBM3-1P-V-EFM	630	3 x V-Clamps	1SEP620013R1021	4,85
3-pole versions				
ZLBM00-3P-M8-EFM	160	3 x M8 Bolt	1SEP620010R3001	2,02
ZLBM00-3P-V-EFM	160	3 x V-Clamps	1SEP620010R3021	2,17
ZLBM1-3P-M12-EFM	250	3 x M12 Universal Bolt	1SEP620011R3001	3,83
ZLBM1-3P-V-EFM	250	3 x V-Clamps	1SEP620011R3021	3,84
ZLBM2-3P-M12-EFM	400	3 x M12 Universal Bolt	1SEP620012R3001	4,33
ZLBM2-3P-V-EFM	400	3 x V-Clamps	1SEP620012R3021	4,32
ZLBM3-3P-M12-EFM	630	3 x M12 Universal Bolt	1SEP620013R3001	4,93
ZLBM3-3P-V-EFM	630	3 x V-Clamps	1SEP620013R3021	4,92



ZLBM00-EFM



ZLBM123-EFM



ZLBM00-EFM



ZLBM123-EFM

Ordering information

ZLBM Fuse switch disconnectors

ZLBM - 1 and 3-pole, Z-busbar versions

Equipped with z clamp suitable for IP20 Z-busbar.

Type	Ie [A]	Description	Order code	Weight [kg]
ZLBM - 1 pole, Depth 121 mm				
ZLBM00-1P-Z-AI	160	3 x single AI clamp	1SEP620010R1160	2,24
ZLBM00-1P-Z-2AI	160	3 x double AI clamp	1SEP620010R1170	2,34
ZLBM00-1P-Z-M8	160	3 x M8 Bolts	1SEP620010R1100	2,11
ZLBM00-1P-Z-V	160	3 x V-Clamps	1SEP620010R1120	2,34
ZLBM1-1P-Z-M12	250	3 x M12 Universal Bolts	1SEP620011R1100	4,03
ZLBM1-1P-Z-V	250	3 x V-Clamps	1SEP620011R1120	4,03
ZLBM2-1P-Z-M12	400	3 x M12 Universal Bolts	1SEP620012R1100	4,5
ZLBM2-1P-Z-V	400	3 x V-Clamps	1SEP620012R1120	4,5
ZLBM2-1P-Z-SC	400	Single side connection	1SEP620012R1130	4,83
ZLBM3-1P-Z-M12	630	3 x M12 Universal Bolts	1SEP620013R1100	5,37
ZLBM3-1P-Z-V	630	3 x V-Clamps	1SEP620013R1120	5,37
ZLBM - 3 pole, Depth 121 mm				
ZLBM00-3P-Z-AI	160	3 x single AI clamp	1SEP620010R3160	2,32
ZLBM00-3P-Z-2AI	160	3 x double AI clamp	1SEP620010R3170	2,42
ZLBM00-3P-Z-M8	160	3 x M8 Bolts	1SEP620010R3100	2,21
ZLBM00-3P-Z-V	160	3 x V-Clamps	1SEP620010R3120	2,44
ZLBM1-3P-Z-M12	250	3 x M12 Universal Bolts	1SEP620011R3100	4,1
ZLBM1-3P-Z-V	250	3 x V-Clamps	1SEP620011R3120	4,1
ZLBM1-3P-Z-SC	250	Single side connection	1SEP620011R3130	4,77
ZLBM2-3P-Z-M12	400	3 x M12 Universal Bolts	1SEP620012R3100	4,7
ZLBM2-3P-Z-V	400	3 x V-Clamps	1SEP620012R3120	4,7
ZLBM2-3P-Z-SC	400	Single side connection	1SEP620012R3130	5,03
ZLBM2-3P-Z-2SC	400	Double side connection	1SEP620012R3140	6,4
ZLBM3-3P-Z-M12	630	3 x M12 Universal Bolts	1SEP620013R3100	5,47
ZLBM3-3P-Z-V	630	3 x V-Clamps	1SEP620013R3120	5,47
ZLBM3-3P-Z-SC	630	Single side connection	1SEP620013R3130	5,1
ZLBM3-3P-Z-2SC	630	Double side connection	1SEP620013R3140	6,5
ZLBM800A-3P-Z-M12	800	12 x M12 bolts	1SEP620014R3100	11,2
ZLBM800A-3P-Z-V	800	12 x V-Clamps	1SEP620014R3120	11,2
ZLBM1250A-3P-Z-M12	1250	12 x M12 bolts	1SEP620015R3100	12,25
ZLBM1250A-3P-Z-V	1250	12 x V-Clamps	1SEP620015R3120	12,5



ZLBM00-1P-Z-M8



ZLBM2-1P-Z-M12



ZLBM3-3P-Z-SC



ZLBM-3P-Z-2SC



ZLBM800A-3P-Z-M12



ZLBM800A-3P-Z-V

Ordering information

ZLBM Fuse switch disconnectors with EFM

ZLBM - 1 and 3-pole, Z-busbar versions with EFM

Equipped with z clamp suitable for IP20 Z-busbar and an Electronic Fuse Monitor (EFM).

The items in this table include a factory-mounted EFM.

Type	le [A]	Description	Order code	Weight [kg]
Z-bar, 1-pole versions				
ZLBM00-1P-Z-M8-EFM	160	3 x M8 Bolt	1SEP620010R1101	2,21
ZLBM00-1P-Z-V-EFM	160	3 x V-Clamps	1SEP620010R1121	2,44
ZLBM2-1P-Z-M12-EFM	400	3 x M12 Universal Bolt	1SEP620012R1101	4,6
ZLBM2-1P-Z-V-EFM	400	3 x V-Clamps	1SEP620012R1121	4,6
ZLBM3-1P-Z-M12-EFM	630	3 x M12 Universal Bolt	1SEP620013R1101	5,47
ZLBM3-1P-Z-V-EFM	630	3 x V-Clamps	1SEP620013R1121	5,47
Z-bar, 3-pole versions				
ZLBM00-3P-Z-M8-EFM	160	3 x M8 Bolt	1SEP620010R3101	2,31
ZLBM00-3P-Z-V-EFM	160	3 x V-Clamps	1SEP620010R3121	2,64
ZLBM1-3P-Z-M12-EFM	250	3 x M12 Universal Bolt	1SEP620011R3101	4,2
ZLBM1-3P-Z-V-EFM	250	3 x V-Clamps	1SEP620011R3121	4,2
ZLBM2-3P-Z-M12-EFM	400	3 x M12 Universal Bolt	1SEP620012R3101	4,8
ZLBM2-3P-Z-V-EFM	400	3 x V-Clamps	1SEP620012R3121	4,8
ZLBM3-3P-Z-M12-EFM	630	3 x M12 Universal Bolt	1SEP620013R3101	5,57
ZLBM3-3P-Z-V-EFM	630	3 x V-Clamps	1SEP620013R3121	5,57



ZLBM00-1P-Z-EFM



ZLBM00-3P-Z-EFM



ZLBM2-1P-Z-EFM



ZLBM2-3P-M12-EFM

Ordering information

ZHBM Fuse switch disconnectors

ZHBM - 1-pole, Depth 154 mm

Type	le [A]	Description	Order code	Weight [kg]
Basic 1-pole versions				
ZHBM00-1P-M8	160	3 x M8 Bolt	1SEP620020R1000	1,83
ZHBM00-1P-V	160	3 x V-Clamps	1SEP620020R1020	1,93
ZHBM1-1P-M12	250	3 x M12 Universal Bolt	1SEP620021R1000	3,6
ZHBM1-1P-V	250	3 x V-Clamps	1SEP620021R1020	3,6
ZHBM2-1P-M12	400	3 x M12 Universal Bolt	1SEP620022R1000	4,17
ZHBM2-1P-V	400	3 x V-Clamps	1SEP620022R1020	4,15
ZHBM3-1P-M12	630	3 x M12 Universal Bolt	1SEP620023R1000	4,74
ZHBM3-1P-V	630	3 x V-Clamps	1SEP620023R1020	4,73

ZHBM - 3-pole, Depth 154 mm

Type	le [A]	Description	Order code	Weight [kg]
Basic 3-pole versions				
ZHBM00-3P-M8	160	3 x M8 Bolt	1SEP620020R3000	1,9
ZHBM00-3P-V	160	3 x V-Clamps	1SEP620020R3020	2
ZHBM1-3P-M12	250	3 x M12 Universal Bolt	1SEP620021R3000	3,69
ZHBM1-3P-V	250	3 x V-Clamps	1SEP620021R3020	3,68
ZHBM2-3P-M12	400	3 x M12 Universal Bolt	1SEP620022R3000	4,24
ZHBM2-3P-V	400	3 x V-Clamps	1SEP620022R3020	4,24
ZHBM3-3P-M12	630	3 x M12 Universal Bolt	1SEP620023R3000	4,81
ZHBM3-3P-V	630	3 x V-Clamps	1SEP620023R3020	4,81
ZHBM800A-3P-M12	800	6 x M12 Universal Bolt	1SEP620024R3000	11,2
ZHBM800A-3P-V	800	6 x V-Clamps	1SEP620024R3020	11,4
ZHBM1250A-3P-M12	1250	6 x M12 Universal Bolt	1SEP620025R3000	12,45
ZHBM1250A-3P-V	1250	6 x V-Clamps	1SEP620025R3020	12,65
Without V-Clamps				
ZHBM00-3P-NOV	160	Without V-Clamps	1SEP620020R3010	1,998
ZHBM1-3P-NOV	250	Without V-Clamps	1SEP620021R3010	3,68
ZHBM2-3P-NOV	400	Without V-Clamps	1SEP620022R3010	4,24
ZHBM3-3P-NOV	630	Without V-Clamps	1SEP620023R3010	4,81



ZHBM00-1P



ZHBM123-1P



ZHBM00-3P



ZHBM123-3P



ZHBM800A-3P-V

Ordering information

ZHBM Fuse switch disconnectors with EFM

ZHBM - 1 and 3-pole, Depth 154 mm, with EFM

ZLBM fuse switch disconnectors can be equipped with an Electronic Fuse Monitor (EFM).

The items in this table include a factory-mounted EFM.

Type	Ie [A]	Description	Order code	Weight [kg]
ZLBM 1-pole, Depth 121 mm				
ZHBM00-1P-M8-EFM	160	3 x M8 Bolt	1SEP620020R1001	2,028
ZHBM00-1P-V-EFM	160	3 x V-Clamps	1SEP620020R1021	2,125
ZHBM1-1P-M12-EFM	250	3 x M12 Universal Bolt	1SEP620021R1001	3,8
ZHBM1-1P-V-EFM	250	3 x V-Clamps	1SEP620021R1021	3,8
ZHBM2-1P-M12-EFM	400	3 x M12 Universal Bolt	1SEP620022R1001	4,374
ZHBM2-1P-V-EFM	400	3 x V-Clamps	1SEP620022R1021	4,353
ZHBM3-1P-M12-EFM	630	3 x M12 Universal Bolt	1SEP620023R1001	4,937
ZHBM3-1P-V-EFM	630	3 x V-Clamps	1SEP620023R1021	4,932
ZLBM 3-pole, Depth 121 mm				
ZHBM00-3P-M8-EFM	160	3 x M8 Bolt	1SEP620020R3001	2,101
ZHBM00-3P-V-EFM	160	3 x V-Clamps	1SEP620020R3021	2,198
ZHBM1-3P-M12-EFM	250	3 x M12 Universal Bolt	1SEP620021R3001	3,886
ZHBM1-3P-V-EFM	250	3 x V-Clamps	1SEP620021R3021	3,883
ZHBM2-3P-M12-EFM	400	3 x M12 Universal Bolt	1SEP620022R3001	4,441
ZHBM2-3P-V-EFM	400	3 x V-Clamps	1SEP620022R3021	4,444
ZHBM3-3P-M12-EFM	630	3 x M12 Universal Bolt	1SEP620023R3001	5,013
ZHBM3-3P-V-EFM	630	3 x V-Clamps	1SEP620023R3021	5,006



ZHBM00-EFM



ZHBM123-EFM



ZHBM00-3P-EFM



ZHBM00-1P-EFM

Ordering information

BZL/BZH switch disconnectors

BZL switch disconnectors - Depth 121 mm

Type	Ie [A]	Description	Order code	Weight [kg]
1-pole				
BZL1250A-1P-M12	1250	2 x 3 M12 bolts	1SEP620083R1000	11,2
BZL2000A-1P-M12	2000	4 x 3 M12 bolts	1SEP620103R1000	22,2
w3-pole				
BZL1250A-3P-M12	1250	2 x 3 M12 bolts	1SEP620083R3000	11,5
BZL2000A-3P-M12	2000	4 x 3 M12 bolts	1SEP620103R3000	22,8

BZH switch disconnectors - Depth 154 mm

Type	Ie [A]	Description	Order code	Weight [kg]
1-pole				
BZH1250A-1P-M12	1250	2 x 3 M12 bolts	1SEP620123R1000	11,5
BZH2000A-1P-M12	2000	4 x 3 M12 bolts	1SEP620143R1000	23,2
3-pole				
BZH1250A-3P-M12	1250	1250A 3-pole, incl. 2x3 M12 bolts	1SEP620123R3000	11,8
BZH2000A-3P-M12	2000	2000A 3-pole, incl. 4x3 M12 bolts	1SEP620143R3000	23,8



BZL/BZH2000A-1P



BZL/BZH2000A-3P



BZH1250A-1P



BZH1250A-3P

Ordering information

ZUBM Fuse rails

Fuse rails

Phase barriers and cable shrouds are available separately.

Type	Ie [A]	Description	Order code	Weight [kg]
ZUBM00-M8	160	3 x M8 Bolt	1SEP620000R1000	1,2
ZUBM00-V	160	3 x V-Clamps	1SEP620000R1020	1,4
ZUBM1-M12	250	3 x M12 Universal Bolt	1SEP620001R1000	2,1
ZUBM1-V	250	3 x V-Clamps	1SEP620001R1020	2
ZUBM2-M12	400	3 x M12 Universal Bolt	1SEP620002R1000	2,52
ZUBM2-V	400	3 x V-Clamps	1SEP620002R1020	2,5
ZUBM3-M12	630	3 x M12 Universal Bolt	1SEP620003R1000	3,15
ZUBM3-V	630	3 x V-Clamps	1SEP620003R1020	3



ZUBM00-M8



ZUBM123-M12



ZUBM123-V

Ordering information

Bus couplers ZUBM, ZLBM and BZH

Type	Ie [A]	Description	Order code	Weight [kg]
ZUBM3-BC-Right	630	Connection from left side possible by turning the base	1SEP622026R0001	2,20
ZLBM2-3P-BC-Right	400	Connection from left side possible by turning the base	1SEP622028R0001	3,35
ZLBM3-3P-BC-Right	630	Connection from left side possible by turning the base	1SEP622030R0001	3,65
BZH1000-1P-BC-Right-STS	1000	Corrossion free version	1SEP622032R0001	5,75
BZH1250-1P-BC-Right-STS	1250	Corrossion free version	1SEP622035R0001	5,75
BZH1600-1P-BC-Right-STS	1600	Corrossion free version	1SEP622033R0001	11,85
BZH2000-1P-BC-Right-STS	2000	Corrossion free version	1SEP622034R0001	11,85



ZUBM3-BC



ZLBM2-BC



ZLBM3-BC

BZH1000-1P-BC,
BZH1250-1P-BCBZH1600-1P-BC,
BZH2000-1P-BC

Ordering information

ZLBM/ZHBM - Accessories

Accessories for ZLBM00-100

Type	Order code	Weight [kg]
ZLBM00-100 Side Panel Support	1SEP620020R1001	0,05
ZLBM00-100 Label Holder	1SEP620020R1021	0,05
ZLBM00-100 Single adapter for 60mm busbar distance	1SEP620021R1001	0,15
ZLBM00-100 Single adapter for 100 to 185mm busbar distance	1SEP620021R1021	0,5
ZLBM00-100 Double adapter for 100 to 185mm busbar distance	1SEP620022R1001	0,7
ZLBM00-100 Prism Clamp	1SEP304056R0001	0,91
ZLBM00-100 Auxiliary switch NO/ NC	1SEP621097R0001	0,03
ZLBM00-100 Hooked clamp kit	1SEP621220R0001	0,1

Cabling and mounting accessories for ZLBM/ZHBM 00

Type	Order code	Weight [kg]
ZLBM00 Cable shroud L86 (total length 86mm)	1SEP619690R0001	0,07
ZLBM00 Cable shroud L177 (total length 177mm)	1SEP619207R0001	0,2
ZLBM / ZHBM 00 Label holder	1SEP619208R0001	0,02
00 Bridge clamp 1,5-50mm ² (3pcs)	1SEP407733R0001	0,04
00 Single prism clamp 1,5-95mm ² (3pcs)	1SEP407732R0005	0,1
00 Single adapter M12 to M8 for 185mm busbar dist.	1SEP304072R0001	0,4
ZLBM00 Double adapter 185mm	1SEP619388R0001	0,11
ZLBM00 Hooked clamp kit	1SEP619499R0001	0,3
ZLBM00 Spare way cover	1SEP304069R0001	0,1
ZLBM00 1P Operation handle kit	1SEP621386R0001	0,1



Cable shroud L86



Cable shroud L177

ZLBM00 Double
adapter 185mmZLBM/ZHBM 00
Label holder

—

A-meters and housing for ZLBM/ZHBM 00

The Ammeter can be installed into the ammeter house. It can be clicked into position at the top of the ZLBM/ZHBM or at the bottom side if the cable terminals are upwards.

Type	Order code	Weight [kg]
ZLBM / ZHBM 00 A-meter house for A-meter 48x48 mm	1SEP619209R0001	0,04
Max. A-meter QB48, 0-150-180/5A	NHSN714003P1150	0,13

—

Current transformers (CT) and busbar kit for ZLBM00

By using busbar kits, CT can be mounted at the rear side of fuse switch disconnectors ZBLM00.

Type	Order code	Weight [kg]
ZLBM/XLBM CT rear side with Cu Tube 160/5A 2,5VA Cl.1 (3pcs)	1SEP408149R0001	1,3

—

Current transformers (CT) and busbar kit for ZHBM00

CT can be fitted on the rear side of fuse switch disconnectors ZHBM00. 1 CT per phase.

Type	Order code	Weight [kg]
ZHBM 00 CT Slide on rear side 80/1A 1,0VA Cl.0,5	1SEP619863P0001	0,15
ZHBM 00 CT Slide on rear side 80/1A 1,5VA Cl.1	1SEP619864P0001	0,15
ZHBM 00 CT Slide on rear side 100/1A 1,5VA Cl.0,5	1SEP619865P0001	0,15
ZHBM 00 CT Slide on rear side 100/1A 1,5VA Cl.0,5s	1SEP619866P0001	0,15
ZHBM 00 CT Slide on rear side 100/1A 2,0VA Cl.1	1SEP619867P0001	0,15
ZHBM 00 CT Slide on rear side 120/1A 1,5VA Cl.0,5	1SEP619868P0001	0,15
ZHBM 00 CT Slide on rear side 120/1A 1,5VA Cl.0,5s	1SEP619869P0001	0,15



A-meter housing



ZHBM 00 CT

Ordering information

ZLBM/ZHBM - Accessories

Current transformers (CT) for ZHBM 00

Type	Order code	Weight [kg]
ZHBM 00 CT Slide on rear side 80/1A 1,0VA Cl.0,5	1SEP619863P0001	0,15
ZHBM 00 CT Slide on rear side 80/1A 1,5VA Cl.1	1SEP619864P0001	0,15
ZHBM 00 CT Slide on rear side 100/1A 1,5VA Cl.0,5	1SEP619865P0001	0,15
ZHBM 00 CT Slide on rear side 100/1A 1,5VA Cl.0,5s	1SEP619866P0001	0,15
ZHBM 00 CT Slide on rear side 100/1A 2,0VA Cl.1	1SEP619867P0001	0,15
ZHBM 00 CT Slide on rear side 120/1A 1,5VA Cl.0,5	1SEP619868P0001	0,15
ZHBM 00 CT Slide on rear side 120/1A 1,5VA Cl.0,5s	1SEP619869P0001	0,15
ZHBM 00 CT Slide on rear side 120/1A 2,5VA Cl.1	1SEP619870P0001	0,15
ZHBM 00 CT Slide on rear side 125/1A 1,5VA Cl.0,5	1SEP619871P0001	0,15
ZHBM 00 CT Slide on rear side 125/1A 1,5VA Cl.0,5s	1SEP619872P0001	0,15
ZHBM 00 CT Slide on rear side 125/1A 2,5VA Cl.1	1SEP619873P0001	0,15
ZHBM 00 CT Slide on rear side 150/1A 2,0VA Cl.0,5	1SEP619874P0001	0,15
ZHBM 00 CT Slide on rear side 150/1A 1,5VA Cl.0,5s	1SEP619875P0001	0,15
ZHBM 00 CT Slide on rear side 150/1A 2,5VA Cl.1	1SEP619876P0001	0,15
ZHBM 00 CT Slide on rear side 160/1A 2,5VA Cl.0,5	1SEP619877P0001	0,15
ZHBM 00 CT Slide on rear side 160/1A 1,5VA Cl.0,5s	1SEP619878P0001	0,15
ZHBM 00 CT Slide on rear side 160/1A 2,5VA Cl.1	1SEP619879P0001	0,15
ZHBM 00 CT Slide on rear side 80/5A 1,0VA Cl.0,5	1SEP619880P0001	0,15
ZHBM 00 CT Slide on rear side 80/5A 1,0VA Cl.1	1SEP619881P0001	0,15
ZHBM 00 CT Slide on rear side 100/5A 1,0VA Cl.0,5	1SEP619882P0001	0,15



ZHBM 00 CT

Current transformers (CT) for ZHBM 00

Type	Order code	Weight [kg]
ZHBM 00 CT Slide on rear side 100/5A 1,0VA Cl.0,5s	1SEP619883P0001	0,15
ZHBM 00 CT Slide on rear side 100/5A 1,5VA Cl.1	1SEP619510P0001	0,15
ZHBM 00 CT Slide on rear side 120/5A 1,5VA Cl.0,5	1SEP619884P0001	0,15
ZHBM 00 CT Slide on rear side 120/5A 1,5VA Cl.0,5s	1SEP619885P0001	0,15
ZHBM 00 CT Slide on rear side 120/5A 2,0VA Cl.1	1SEP619886P0001	0,15
ZHBM 00 CT Slide on rear side 125/5A 1,5VA Cl.0,5	1SEP619887P0001	0,15
ZHBM 00 CT Slide on rear side 125/5A 1,5VA Cl.0,5s	1SEP619888P0001	0,15
ZHBM 00 CT Slide on rear side 125/5A 2,5VA Cl.1	1SEP619889P0001	0,15
ZHBM 00 CT Slide on rear side 150/5A 2,0VA Cl.0,5	1SEP619890P0001	0,15
ZHBM 00 CT Slide on rear side 150/5A 1,5VA Cl.0,5s	1SEP619891P0001	0,15
ZHBM 00 CT Slide on rear side 150/5A 2,5VA Cl.1	1SEP619511P0001	0,15
ZHBM 00 CT Slide on rear side 160/5A 2,0VA Cl.0,5	1SEP619892P0001	0,15
ZHBM 00 CT Slide on rear side 160/5A 1,5VA Cl.0,5s	1SEP619893P0001	0,15
ZHBM 00 CT Slide on rear side 160/5A 2,5VA Cl.1	1SEP619894P0001	0,15
Multiplug kit size 00	1SEP621080R0001	0,05
ZHBM00 CT Covers Kit, Spare Parts 3 pcs included	1SEP619566R0001	0,9
CT terminal 160A/5A 5VA cl.0,5	1SEP408149R0006	0,6



 ZHBM00 CT Covers Kit

Ordering information

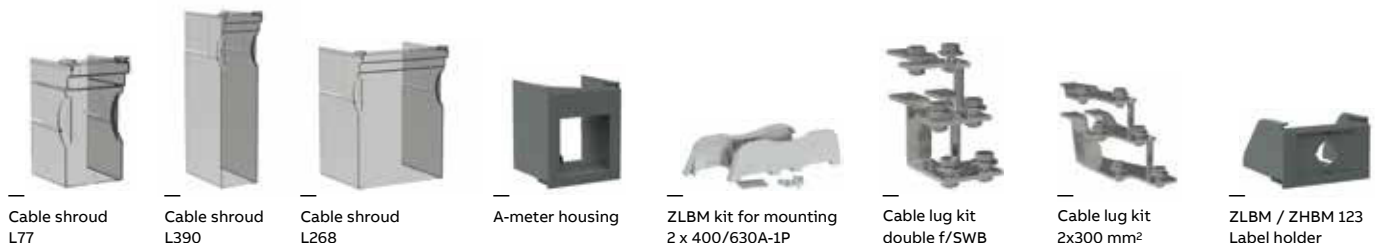
ZLBM/ZHBM - Accessories

Cabling and mounting accessories for ZLBM/ZHBM 123

Type	Order code	Weight [kg]
ZLBM123 Cable shroud L86 (total length 86mm)	1SEP619211R0001	0,07
ZLBM123 Cable shroud L177 (total length 177 mm)	1SEP619210R0001	0,12
ZLBM800/1250 Cable shroud L268 (total length 268 mm)	1SEP619212R0001	0,37
ZLBM123 Cable shroud L390 (total length 390 mm)	1SEP619213R0001	0,38
ZLBM123 Phase barrier for cable terminal	1SEP619682R0001	0,02
ZLBM / ZHBM 123 Label holder	1SEP619214R0001	0,06
ZLBM / ZHBM 123 Label holder (250 pcs in a package)	1SEP619214R0250	15
ZLBM / XLBM side support kit	1SEP408416R0001	0,6
ZLBM / XLBM 123 V-clamp kit	1SEP304446R0001	0,5
V-clamp kit 300 mm	1SEP621779R0001	0,7
ZLBM123 V-clamp kit double f/SWB (2x240)	1SEP621078R0001	1,37
ZLBM123 Cable lug kit double f/SWB (2x240)	1SEP619276R0001	0,82
ZLBM123 Cable lug kit 2x300 mm ²	1SEP619277R0001	1,6
ZLBM kit for mounting 2 x 400/630A-3P Double handle kit	1SEP619216R0001	0,3
ZLBM kit for mounting 2 x 400/630A-1P Double handle kit for 3 1-pole front covers	1SEP621008R0001	0,75
ZLBM123 Hooked clamp kit	1SEP619498R0001	0,3
V-clamp kit STS for 300 mm ² cable, with copper bars	1SEP621558R0001	0,6
ZLBM123 Spare part screws M12x35 and M12 spring washers STS	1SEP621556R0001	0,25
ZLBM1 1P Operation handle kit	1SEP621387R0001	0,15
ZLBM2 1P Operation handle kit	1SEP621385R0001	0,15
ZLBM3 1P Operation handle kit	1SEP621384R0001	0,15
ZLBM3 1P Operating handle kit, double, red (1600A)	1SEP621382R0001	0,3
ZLBM3 1P Operating handle kit, single, red (1000A)	1SEP621383R0001	0,15
ZLBM123 Terminal connection kit for parallel switches V-Clamp	1SEP621072R0001	3
ZLBM123 Terminal connection kit for parallel switches M12	1SEP621071R0001	3

A-meters and housing for ZLBM/ZHBM 123

Type	Order code	Weight [kg]
ZLBM / ZHBM 123 A-meter housing for A-meter 72x72 mm	1SEP619215R0001	0,13
Max A-meter QB72, 0-150-180/5A	NHSN714004P2206	0,2
Max A-meter QB72, 0-200-300/5A	NHSN714004P2208	0,2
Max A-meter QB72, 0-400-480/5A	NHSN714004P2210	0,2
Max A-meter QB72, 0-600-720/5A	NHSN714004P2212	0,2



Current transformers (CT) busbar kits for ZLBM 123

By using busbar kits, CT can be mounted at the rear side of fuse switch disconnectors ZBLM123.

Type	Order code	Weight [kg]
ZLBM/XLBM CT rear side with Cu Tube 200A/5A 3,75VA cl.1 (3pcs)	1SEP408149R0002	1,3
ZLBM/XLBM CT rear side with Cu Tube 400A/5A 5VA cl.1 (3pcs)	1SEP408149R0003	1,3
ZLBM/XLBM CT rear side with Cu Tube 600A/5A 5VA cl.1 (3pcs)	1SEP408149R0004	1,3
ZLBM/XLBM CT rear side with Cu Tube 600A/5A 5VA cl.0,5 (3pcs)	1SEP408149R0005	1,3
ZLBM/XLBM CT rear side with Cu Tube 200A/5A 3,75VA cl.1 (3pcs)	1SEP408149R0002	1,20
ZLBM/XLBM CT rear side with Cu Tube 400A/5A 5VA cl.1 (3pcs)	1SEP408149R0003	1,30
ZLBM/XLBM CT rear side with Cu Tube 600A/5A 5VA cl.1 (3pcs)	1SEP408149R0004	1,30
ZLBM/XLBM CT rear side with Cu Tube 600A/5A 5VA cl.0,5 (3pcs)	1SEP408149R0005	1,30

Current transformers (CT) for ZHBM 123

CT can be fitted on the rear side of fuse switch disconnectors ZHBM123. 1 CT per phase.

Type	Order code	Weight [kg]
ZHBM CT Slide on rear side 250/1A 3,75VA Cl.0,5	1SEP619895P0001	0,2
ZHBM CT Slide on rear side 250/1A 2,5VA Cl.0,5s	1SEP619896P0001	0,2
ZHBM CT Slide on rear side 250/1A 5,0VA Cl.1	1SEP619897P0001	0,2
ZHBM CT Slide on rear side 300/1A 3,75VA Cl.0,5	1SEP619898P0001	0,2
ZHBM CT Slide on rear side 300/1A 3,75VA Cl.0,5s	1SEP619899P0001	0,2
ZHBM CT Slide on rear side 300/1A 5,0VA Cl.1	1SEP619900P0001	0,2
ZHBM CT Slide on rear side 400/1A 5,0VA Cl.0,5	1SEP619901P0001	0,2
ZHBM CT Slide on rear side 400/1A 5,0VA Cl.0,5s	1SEP619902P0001	0,2
ZHBM CT Slide on rear side 400/1A 5,0VA Cl.1	1SEP619903P0001	0,2
ZHBM CT Slide on rear side 500/1A 5,0VA Cl.0,5	1SEP619904P0001	0,2
ZHBM CT Slide on rear side 500/1A 5,0VA Cl.0,5s	1SEP619905P0001	0,2
ZHBM CT Slide on rear side 500/1A 5,0VA Cl.1	1SEP619906P0001	0,2
ZHBM CT Slide on rear side 600/1A 5,0VA Cl.0,5	1SEP619907P0001	0,2
ZHBM CT Slide on rear side 600/1A 5,0VA Cl.0,5s	1SEP619908P0001	0,2



ZHBM 1/2/3 CT



Current transformers in ZHBM

The ZHBM 00/123 variants (with the additional depth +32,5mm) makes it possible to slide on one current transformer (CT) at the rear side per phase.

Ordering information

ZLBM/ZHBM - Accessories

Current transformers (CT) for ZHBM 123

CT can be fitted on the rear side of fuse switch disconnectors ZHBM123. 1 CT per phase.

Type	Order code	Weight [kg]
ZHBM CT Slide on rear side 600/1A 5,0VA Cl.1	1SEP619909P0001	0,2
ZHBM CT Slide on rear side 250/5A 3,75VA Cl.0,5	1SEP619910P0001	0,2
ZHBM CT Slide on rear side 250/5A 2,5VA Cl.0,5s	1SEP619911P0001	0,2
ZHBM CT Slide on rear side 250/5A 5VA Cl.1	1SEP619512P0001	0,2
ZHBM CT Slide on rear side 300/5A 3,75VA Cl.0,5	1SEP619912P0001	0,2
ZHBM CT Slide on rear side 300/5A 3,75VA Cl.0,5s	1SEP619913P0001	0,2
ZHBM CT Slide on rear side 300/5A 5,0VA Cl.1	1SEP619914P0001	0,2
ZHBM CT Slide on rear side 400/5A 5,0VA Cl.0,5	1SEP619915P0001	0,2
ZHBM CT Slide on rear side 400/5A 5,0VA Cl.0,5s	1SEP619916P0001	0,2
ZHBM CT Slide on rear side 400/5A 5VA Cl.1	1SEP619513P0001	0,2
ZHBM CT Slide on rear side 500/5A 5,0VA Cl.0,5	1SEP619917P0001	0,2
ZHBM CT Slide on rear side 500/5A 5,0VA Cl.0,5s	1SEP619918P0001	0,2
ZHBM CT Slide on rear side 500/5A 5,0VA Cl.1	1SEP619919P0001	0,2
ZHBM CT Slide on rear side 600/5A 5,0VA Cl.0,5	1SEP619920P0001	0,2
ZHBM CT Slide on rear side 600/5A 5,0VA Cl.0,5s	1SEP619921P0001	0,2
ZHBM CT Slide on rear side 600/5A 5VA Cl.1	1SEP619514P0001	0,2
Multiplug kit size 123	1SEP619504R0001	0,1
ZHBM123 CT Covers Kit, Spare Parts 3 pcs included	1SEP619565R0001	0,2
ZLBM/XLBM123 Terminal Kit for CT's	1SEP618948R0001	0,6



ZHBM 1/2/3 CT



ZHBM 1/2/3 CT Covers kit



Multiplug kit size 123



The CT shrouds have integrated cable channels for easy cable supply up to a multi plug for external connection.

Huckepack for ZLBM/ZHBM 123

A plug in Huckepack for temporary additional output can be plugged through the front window into the incoming fuse contact in the apparatus. The huckepack is prepared for a NH 00 fuse link inside, and is equipped with its own cable terminal at the bottom side.

Type	Order code	Weight [kg]
ZLBM/XLBM123 Huckepack	NHSN722068P0002	0,3

Plug-in ammeters and CT for ZLBM/ZHBM 123

Plug in Ammeter through the front window by using a special NH2 Fuse link together with a slide in CT.

Type	Order code	Weight [kg]
Plug in A-meter, front cover inst. 200-400/5A	NHPL046270R0001	0,2
Plug in CT for front cover inst. A-meter 200/5A 3,5VA cl.3	NHSN718050P2525	0,1
Plug in CT for front cover inst. A-meter 400/5A 5VA cl.3	NHSN718050P2540	0,1
NH2 Fuse link 400V/100A for plug in CT	NHPL046265R0001	0,5
NH2 Fuse link 400V/125A for plug in CT	NHPL046266R0001	0,5
NH2 Fuse link 400V/160A for plug in CT	NHPL046267R0001	0,5
NH2 Fuse link 400V/200A for plug in CT	NHPL046268R0001	0,5
NH2 Fuse link 400V/224A for plug in CT	NHPL046269R0001	0,55
NH2 Fuse link 400V/250A for plug in CT	NHPL046272R0001	0,55
NH2 Fuse link 400V/315A for plug in CT	NHPL046273R0001	0,5
NH2 Fuse link 400V/400A for plug in CT	NHPL046275R0001	0,55

Auxiliary switches for ZLBM/ZHBM

In the ZLBM / ZHBM the auxiliary switches 1 NO or 1 NC can be clicked into position at the side of the apparatus. The body of the apparatus have integrated cable channels for easy connection down or up to a possible multi plug for external connection. ZLBM/ZHBM 00: 1 Aux. Switch pr phase. ZLBM/ZHBM 123: 2 Aux. Switches pr phase.

Type	Order code	Weight [kg]
ZLBM Auxiliary switch NC	1SEP619554R0001	0,02
ZLBM Auxiliary switch NO	1SEP619555R0001	0,02



Huckepack



Plug in A-meter and CT at NH2 fuse link



Auxiliary switch



Mounting position of the auxiliary switch

Ordering information

ZUBM Fuse rails and Z busbars, ZLBM/ZHBM - Accessories

CT terminals for ZLBM/ZUBM

Type	Order code	Weight [kg]
ZLBM/ZUBM CT Terminal 200/5A 3,75VA Cl.1	1SEP619506R0001	0,6
ZLBM/ZUBM CT terminal 400/5A 5VA Cl.1	1SEP619516R0001	0,6
ZLBM/ZUBM CT terminal 600/5A 5VA Cl.1	1SEP619517R0001	0,6
ZLBM/ZUBM CT terminal 600/5A 5VA Cl.0,5	1SEP619519R0001	0,6

Accessories for fuse rails

Type	Order code	Weight [kg]
Suitable for ZUBM00		
ZUBM00 Fuse protection cover	1SEP619752R0001	0,4
ZUBM/ XUBM00 Phase barrier kit	1SEP304442R0001	0,1
ZUBM00 Cable shroud	1SEP619686R0001	0,13
Suitable for ZUBM1, 2, 3		
ZUBM/ XUBM123 Fuse protection cover	1SEP201499R0001	0,4
ZUBM/ XUBM123 Phase barrier kit	1SEP304395R0001	0,07
ZUBM123 Cable shroud	1SEP619717R0001	0,18



ZUBM Fuse
protection cover



ZUBM00
Cable shroud



ZUBM123
Cable shroud

Ordering information

Z-busbar system and accessories

IP20 Z-busbars

Z-busbars for 400/630 A. The busbar kit includes: busbar L1, L2 and L3 and two busbar holders. Degree of protection IP20. ZLBM Z-bar types are delivered with a special protection from back side in the terminal area and a standard cable shroud.

Type	Ie [A]	Width [mm]	Order code
DCN00-Z400A/445-P	400	445	1SEP201621R0001
DCN0-Z400A/578-P	400	578	1SEP201621R0002
DCN1-Z400A/774-P	400	774	1SEP201621R0004

Accessories for IP20 Z-busbars

Feeding clamps

Type	Ie [A]	Cable Al/Cu mm ²	Width [mm]	Order code
AKZD 95	160	6 - 95 / 2 x 6 - 50	35	1SEP731594R0001
AKKZ 300	630	50 - 300	55	1SEP731521R0001

Feeding clamps

Type	Order code
Insulated hexagon key, 6mm	NHSN950001P0006



IP20 Z-busbar

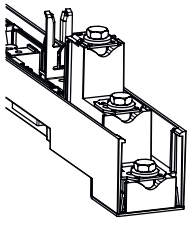

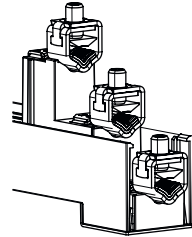

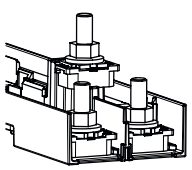
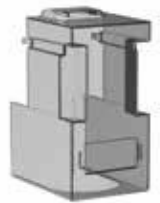
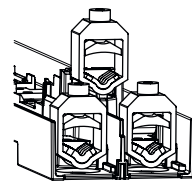
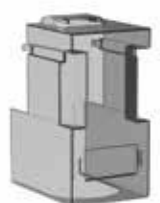


Quick selection of cable terminations and cable shrouds

36	ZUBM00/123
37	ZLBM00/ZHBM00
38–39	ZLBM123/ZHBM123

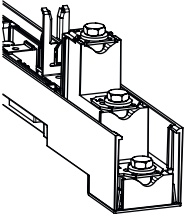


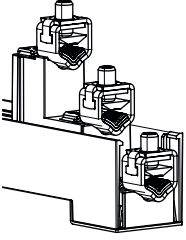


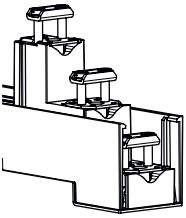


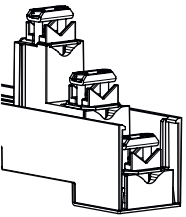


Quick selection of cable terminations and shrouds

ZUBM00/123

Type of clamp/bolt	Conductor cross section min-max		Torque [Nm]	Type of cable shroud (up/down)
	Rm/Sm [mm ²]	Re/Se [mm ²]		
Bolt M8x16 (Standard) - for ZUBM00	Max 95	Max 95	10	1SEP619686R0001
				
V-clamp for ZUBM00	1,5-95	1,5-95	3,5	1SEP619686R0001
				
Bolt M12x40 (Standard) - for ZUBM123	Max 240	Max 240	25	1SEP619717R0001
				
V-clamp - for ZUBM123	Rm: 16-35 50-185 Sm: 35-50 70-240	Re: 16-70 70-150 Se: 35-70 95-300	25	1SEP619717R0001
				

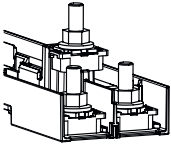


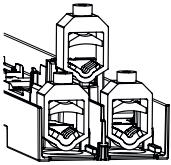








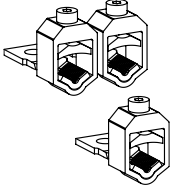












Quick selection of cable terminations and shrouds







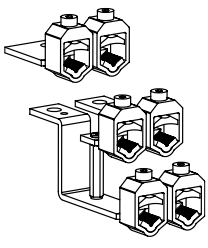






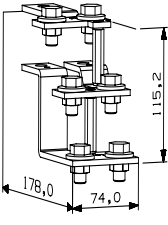



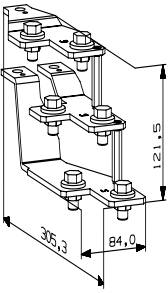

ZLBM00/ZHBM00

Type of clamp/bolt	Conductor cross section min-max		Torque [Nm]	Type of cable shroud (can be used for both, top and bottom)	
	Rm/Sm [mm ²]	Re/Se [mm ²]			
Bolt M8x16 (Standard)	Max 95	Max 95	10	1SEP619690R0001	1SEP619207R0001
					
V-clamp integrated	10-120	10-120	15Nm	1SEP619690R0001	1SEP619207R0001
					
Bridge clamp (3 x BC) 1SEP407733R0001	1,5 - 50	1,5 - 50	3,5	1SEP619690R0001	1SEP619207R0001
					
Single prism clamp (3 x SPC) 1SEP407732R0005	1,5 - 95	1,5 - 95	3,5	1SEP619690R0001	1SEP619207R0001
					

Quick selection of cable terminations and shrouds

ZLBM123/ZHBM123

Type of clamp/bolt	Conductor cross section min-max		Torque [Nm]	Type of cable shroud (can be used for both, top and bottom)	
	Rm/Sm [mm ²]	Re/Se [mm ²]			
Bolt M12x40 (Standard)	Max 240	Max 240	25	1SEP619210R0001	1SEP619211R0001
					
Integrated V-clamp 	Rm: 16-35 	Re: 16-70 	25	1SEP619210R0001	1SEP619211R0001
	50-185 	70-150 			
	Sm: 35-50 	Se: 35-70 			
	70-240 	95-300 			
V-clamp kit 1SEP304446R0001 (for M12 variant) 	Rm: 16-35 	Re: 16-70 	25	1SEP619210R0001	1SEP619211R0001
	50-185 	70-150 			
	Sm: 35-50 	Se: 35-70 			
	70-240 	95-300 			
Steel V-clamp kit 300mm 1SEP621779R0001	Rm: 120-240	Re: 120-240	Size 1: 25 Size 2 and 3: 40	1SEP619690R0001	1SEP619207R0001
	Sm: 120-300	Se: 120-300			
					
V-clamp kit 300 STS kit w/copperbars (for M12 variant) 1SEP621558R0001	Rm: 120-240	Re: 120-240	Size 1: 25 Size 2 and 3: 40	1SEP619690R0001	1SEP619207R0001
	Sm: 120-300	Se: 120-300			
					

Type of clamp/bolt	Conductor cross section min-max		Torque [Nm]	Type of cable shroud (can be used for both, top and bottom)	
	Rm/Sm [mm ²]	Re/Se [mm ²]			
Double V-clamp kit for switchboards 1SEP621078R0001 (for M12 variant)	Rm: 2 x 16-35  2 x 50-185 	Re: 2 x 16-70  2 x 70-150 	25		
	Sm: 2 x 35-50  2 x 70-240 	Se: 2 x 35-70  2 x 95-300 			
1SEP619276R0001 Double cable lug kit f/ SWB	2 x Max 240	2 x Max 240	25		
				1SEP6192130001 	
1SEP619277R0001 Double cable lug kit	2 x Max 300	2 x Max 300	25		
				1SEP6192130001 	



Technical data

42	ZLBM/ZHBM Fuse Switch Disconnectors
43	ZUBM Fuse rails and bus couplers
44–45	Fuse switch disconnectors InLine II - Type codes

Technical data

ZLBM/ZHBM Fuse Switch Disconnectors

ZLBM/ZHBM 00/123 - Type tested according to EN/IEC 60947-3*

		ZLBM00-100	ZLBM/ZHBM 00	ZLBM/ZHBM 1	ZLBM/ZHBM 2	ZLBM/ZHBM 3
For NH fuse links acc. to IEC60269-2-1		00	00	1	1/2	3
Rated operational voltage U _e	(V)	500 / 690	400 / 500 / 690	400 / 500 / 690	400 / 500 / 690	400 / 500 / 690
Rated operational current I _e	(A)	160 / 125	160 / 160 / 125	250	400	630
Rated insulation voltage U _i	(V)	1000	1000	1000	1000	1000
Rated impulse withstand voltage U _{imp}	(kV)	8	8	8	8	8
Fuse protected short circuit withstand current	(kArms)	100	100	100	100	100
Fuse protected short circuit making current	(kArms)	100	100	100	100	100
	400 V		AC 23B	AC 23B	AC 23B	AC 23B
	500 V	AC 23B	AC 22B	AC 22B	AC 22B	AC 22B
Utilization category	690 V	AC 22B	AC 21B	AC 21B	AC 21B	AC 21B
Rated frequency	(Hz)	50/60	50/60	50/60	50/60	50/60
Total power loss at I _{th}	(W)	33,4	30,8 / 33,6	36,20 / 37,8	52,20 / 55,50	91,30 / 97,20
Max permis. power loss per fuse link	P _v (W)	12	12	18 / 23 / 32	28 / 34 / 45	40 / 48 / 60
Degree of protection from the front	Open	IP 20	IP 20	IP 20	IP 20	IP 20
	Closed	IP 30	IP 30	IP 30	IP 30	IP 30

Z_BM/BZ_ 800-2000A - Type tested according to EN/IEC 60947-3*

		ZLBM/ZHBM800	ZLBM/ZHBM1250	ZLBM910A	BZL/ BZH1250A	BZL/ BZH2000A
For NH fuse links acc. to IEC60269-2-1		2	3	3	Fitted solid link ¹⁾	Fitted solid link ¹⁾
Rated operational voltage U _e	(V)	500	500	400	690/500	690/500
Rated operational current I _e	(A)	800	1250	910	1250	2000
Rated insulation voltage U _i	(V)	1000	1000	1000	1000	1000
Rated impulse withstand voltage U _{imp}	(kV)	8	8	8	8	8
Fuse protected short circuit withstand current	(kArms)	100	100	25	-	-
Fuse protected short circuit making current	(kArms)	100	100	25	-	-
Short-time withstand current – 1sec (rms)	(kA)	-	-	-	20kA 1s 3poles 15kA 1s 1pole	30kA 1s
Short-circuit making capacity (peak)	(kA)	-	-	-	20	30
Utilization category		AC 21B	AC 21B	AC 22B	AC 21B, AC 22B	AC 21B, AC 22B
Rated frequency	(Hz)	50/60	50/60	50/60	50/60	50/60
Total power loss I _{th}	(W)	139,7	270	179,4	292,2	-
Max permis. power loss per fuse link	P _v (W)	34	48	69	-	-
Degree of protection from the front	Open	IP 20	IP 20	IP 20	IP 20	IP 20
	Closed	IP 30	IP 30	IP 30	IP 30	IP 30

*The performances of fuse switch disconnectors do not change if installed horizontally.
More information about derating in switchboard is available in the declaration referring to IEC61439.
Note: 1) The solid links are included in the product.

Technical data

ZUBM Fuse rails and bus couplers

Type tested according to EN/IEC 60269-2

		ZUBM 00	ZUBM 1	ZUBM 2	ZUBM 3
For NH fuse links acc. to IEC60269-2-1		00	1	2	3
Rated operational voltage Ue	(V)	400 / 500 / 690	400 / 500 / 690	400 / 500 / 690	400 / 500 / 690
Rated operational current Ie	(A)	160 / 160 / 125	250	400	630
Rated insulation voltage Ui	(V)	1000	1000	1000	1000
Rated impulse withstand voltage Uimp	(kV)	8	8	8	8
Fuse protected short circuit withstand current	(kArms)	100	100	100	100
Rated frequency	(Hz)	50/60	50/60	50/60	50/60
Total power loss Ith	(W)	30,8	36,2	52,2	91,3
Max permis. power loss per fuse link	Pv (W)	12	18 / 23 / 32	28 / 34 / 45	40 / 48 / 60
Degree of protection from the front	Open	IP 20*	IP 20*	IP 20*	IP 20*

* When used with cable shroud and fuse protection cover

Type tested according to EN/IEC 60947-3

		ZLBM2-BC	ZLBM3-BC	ZUBM3-BC	BZH1000A- BC	BZH1250A- BC	BZH1600A- BC	BZH2000A- BC
For NH fuse links acc. to EN/IEC 60269-2		2	3	3	Fitted solid link ¹⁾			
Rated operational current Ie	(A)	400	630	630	1000	1250	1600	2000
Conventional free air thermal current Ith	(A)	400	630	630	1000	1250	1600	2000
Rated operational voltage Ue	(V)	690	690	690	690	690	690	690
Rated insulation voltage Ui	(V)	1000	1000	1000	1000	1000	1000	1000
Rated impulse withstand voltage Uimp	(kV)	8	8	8	8	8	8	8
Fuse protected short circuit withstand current	(kA)	100	100	100	-	-	-	-
Fuse protected short circuit making current	(kA)	100	100	-	-	-	-	-
Short-time withstand current – 1sec (rms)	(kA)	-	-	-	15	15	30	30
Short-circuit making capacity (peak)	(kA)	-	-	-	15	15	30	30
Utilization category – EN/IEC 60947-3	-	AC 22B	AC 22B	AC 20B	AC 22B	AC 22B	AC 21B	AC 21B
Mechanical durability	operations	800	800	1000	500	500	500	500
Electrical durability	operations	200	200	-	100	100	100	100
	Close	IP 30	IP 30	IP 20	IP 30	IP 30	IP 30	IP 30
Degree of protection IEC 60529	Open	IP 20	IP 20	-	IP 20	IP 20	IP 20	IP 20
Pollution degree	-	3	3	3	3	3	3	3
Overvoltage category – IEC 60947-1	-	IV	IV	IV	IV	IV	IV	IV
Rated frequency	(Hz)	50/60	50/60	50/60	50/60	50/60	50/60	50/60
Max. allowed power dissipation of NH-Fuse	(W)	34	48	48	-	-	-	-
Universal terminal bolt size	-	M12	M12	M12	M12	M12	M12	M12
Terminal tightening torque	NM	25	25	25	35	35	35	35

Note: 1) The solid links are included in the product.

Fuse switch disconnectors InLine II

Type codes

Understanding the type code keys below will help you quickly identify the correct product for your needs.

The simple naming system allows you to see the products type, Ampere rating, standard classification and number of poles, all in one glance.

Option:	Z	L	BM	2	3P	M12	EFM
Position:	1	2	1	3	4	5	6
1	Brand, fuse switch disconnecter						
2	Depth						
	L = Low						
	H = High						
3	NH fuse size						
	00						
	1						
	2						
	3						
4	Pole operation						
	1p = 1 pole						
	3p = 3 poles						
5	Pole operation						
	1p = 1 pole						
5	Terminal type						
	M8 = bolt connection						
	M12 = bolt connection						
	V = integrated v-clamp						
	BC = buscoupler						
6	Fuse monitoring						
	blank = not included						
	EFM = electronic fuse monitoring (factory mounted)						

BZ types

Option:	BZ	H	1250A	1P	M12
Position:	1	2	3	4	5
1	Brand, fuse switch disconnecter				
	Brand, switch disconnecter				
2	Depth				
	L = Low				
	H = High				
3	Ampere rating				
4	Pole operation				
	1p = 1 pole				
	3p = 3 poles				
5	Terminal type				
	M12 = bolt connection				
	BC = buscoupler				

—
Z-busbar types

Option:	Z	L	BM	2	3P	Z	2SC
Position:	1	2	1	3	4	5	6
1	Brand, fuse switch disconnecter						
2	Depth						
	L = Low						
	H =High						
3	NH fuse size						
	00						
	1						
	2						
	3						
4	Pole operation						
	1p = 1 pole						
	3p = 3 poles						
5	Pole operation						
	1p = 1 pole						
5	Fuse switch disconnecter for Z busbar						
6	Terminal type						
	M8 = bolt connection						
	M12 = bolt connection						
	V = integrated v-clamp						
	AL = single AI clamp						
	2AI = double AI clamp						
	SC = side connection						
	2SC = double side connection						



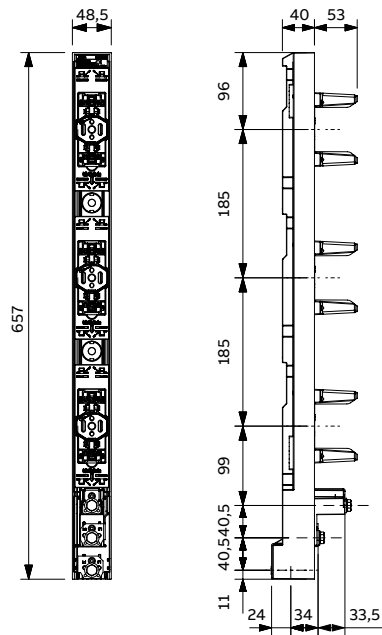
Dimension drawings

48	ZUBM
49–50	ZLBM00
51–55	ZLBM123
56–57	ZLBM910A
58	BZL1250A
59	BZH1000A
60	BZH1250A
61	BZL2000A
62	BZH2000A
63	ZHBM00
64	ZHBM123
65–67	Electronic Fuse Monitoring (EFM)
68–69	Bus couplers
70	Cable shrouds
71	Ammeter house
72	Label holders

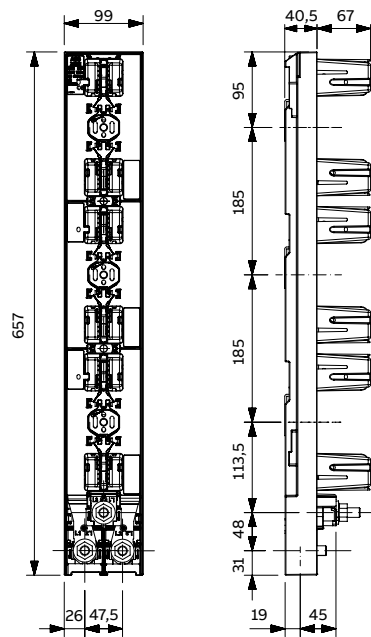
Dimension drawings

ZUBM

ZUBM00
(1SEB000402)



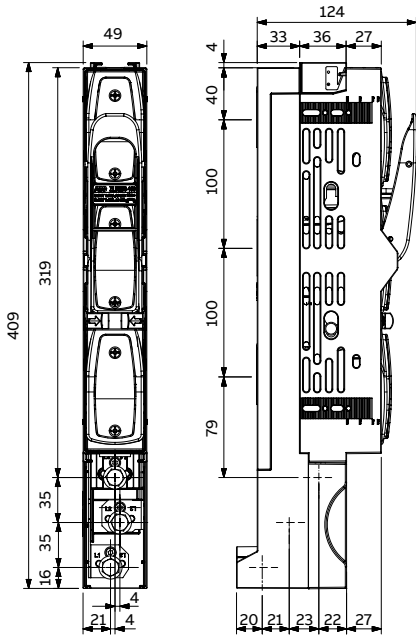
ZUBM123
(1SEB000403)



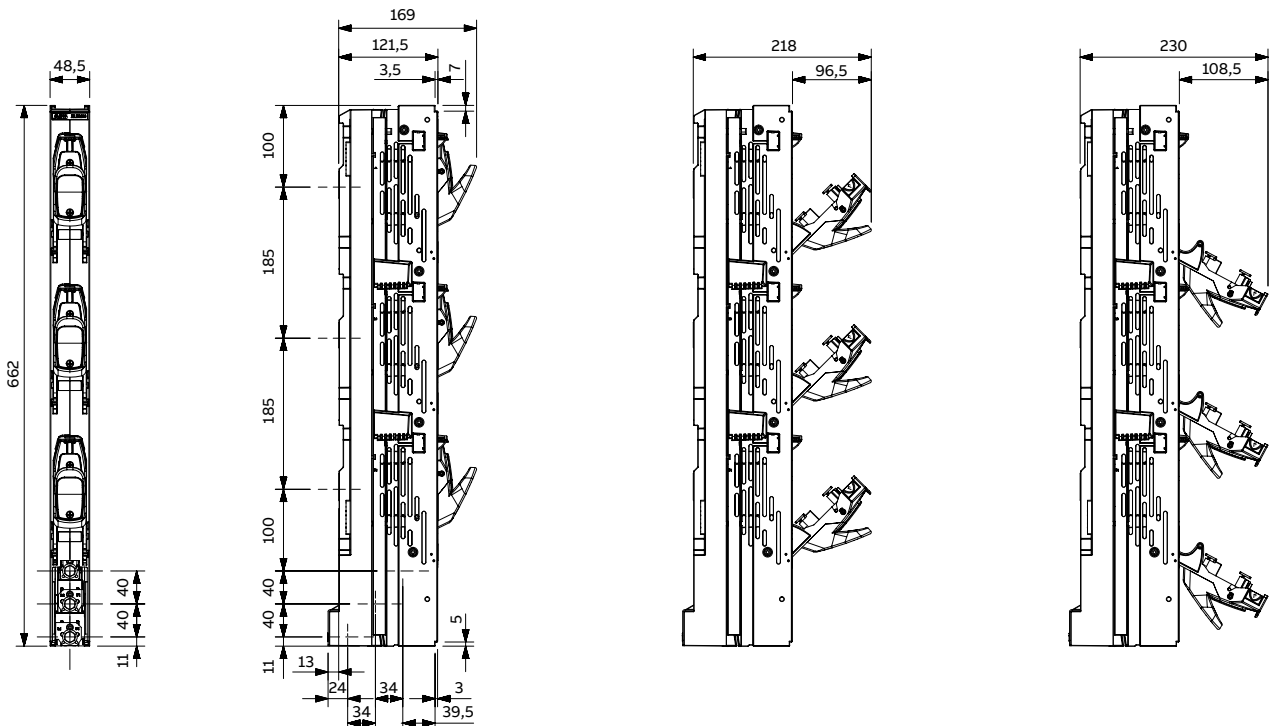
Dimension drawings

ZLBM00

ZLBM00-100
(1SEB000413)



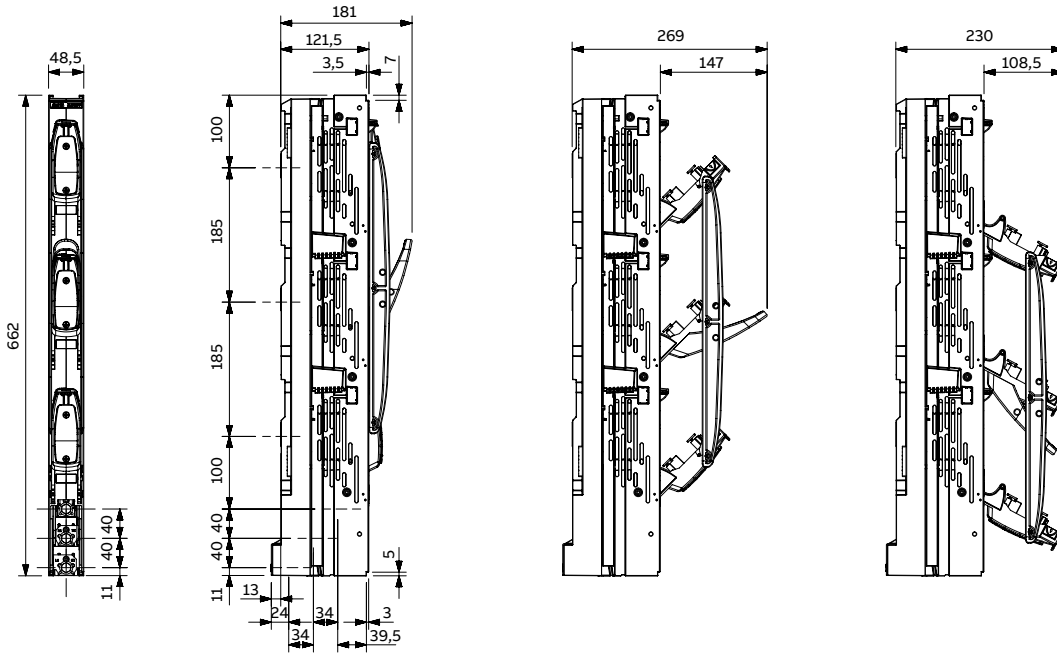
ZLBM00-1P, ZLBM00-1P-3U-M8
(1SEB000326)



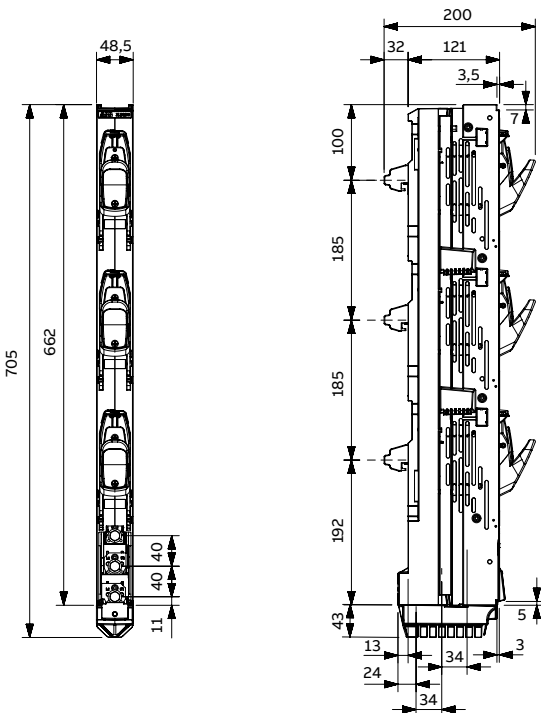
Dimension drawings

ZLBM00

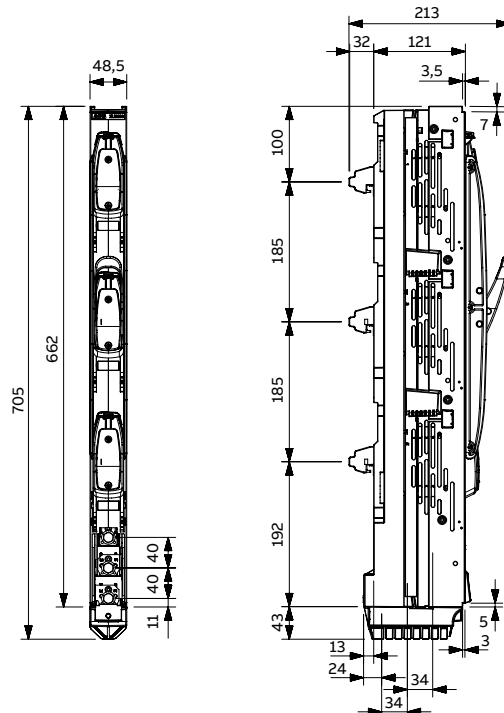
ZLBM00-3P, ZLBM00-3P-3U-M8
(1SEB000333)



ZLBM00-1P-Z-M8
(1SEB000436)



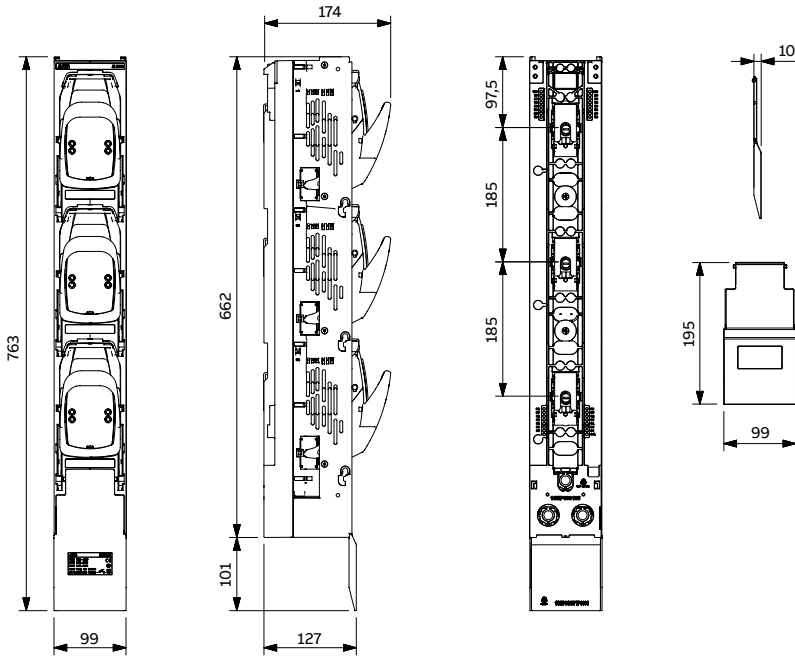
ZLBM00-3P-Z-M8
(1SEB000438)



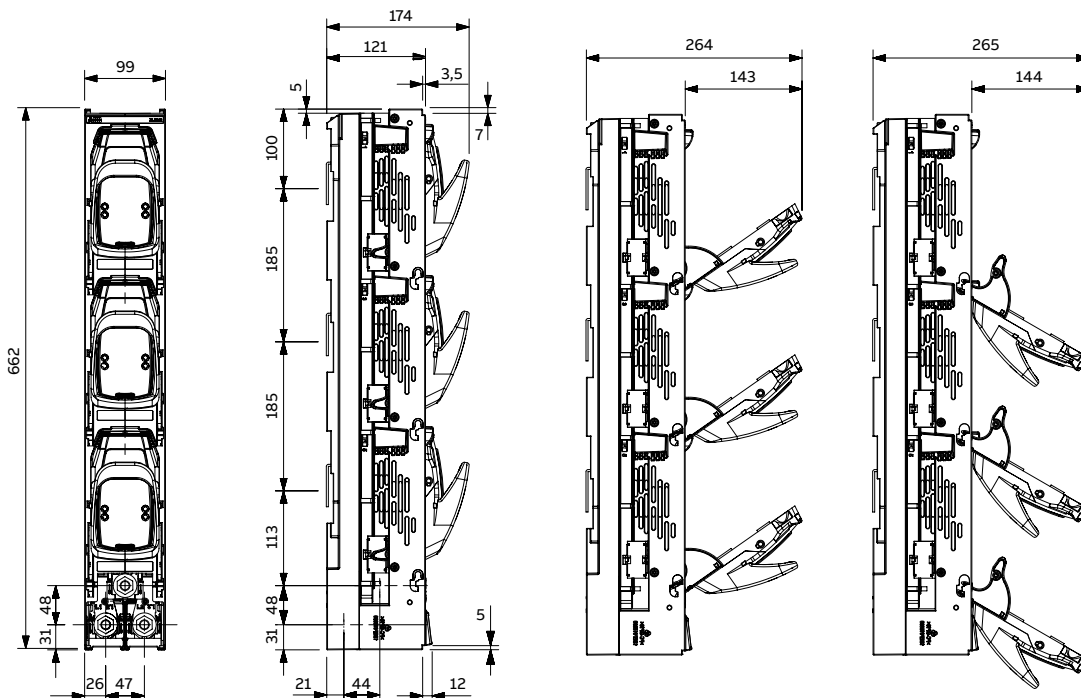
Dimension drawings

ZLBM123

ZLBM123-3U-M12



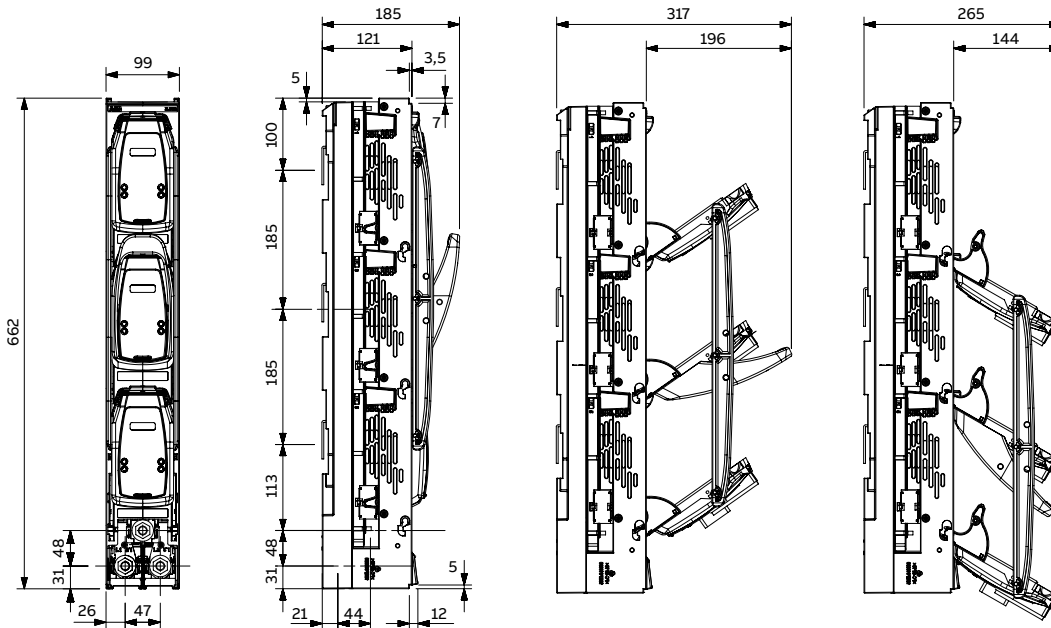
ZLBM123-1P
(1SEB000325)



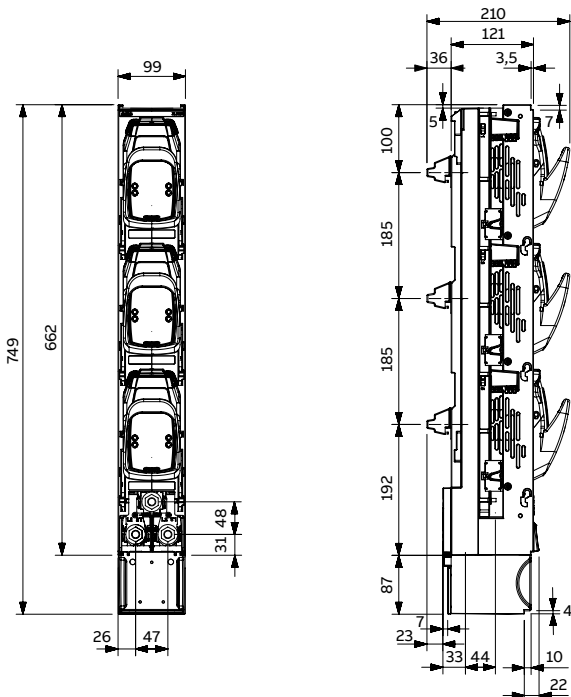
Dimension drawings

ZLBM123

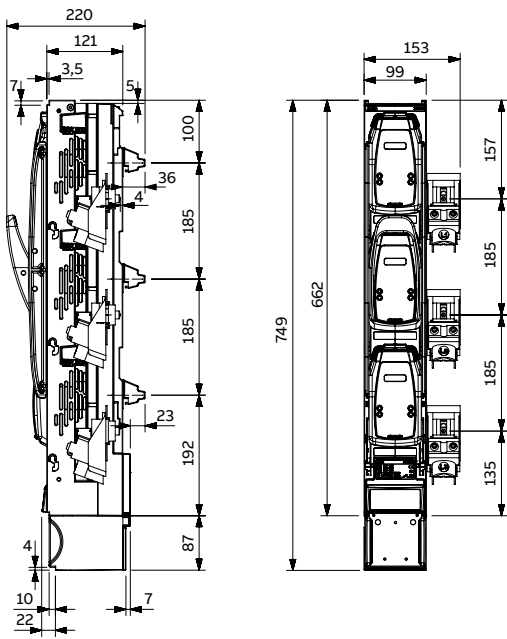
ZLBM123-3P
(1SEB000328)



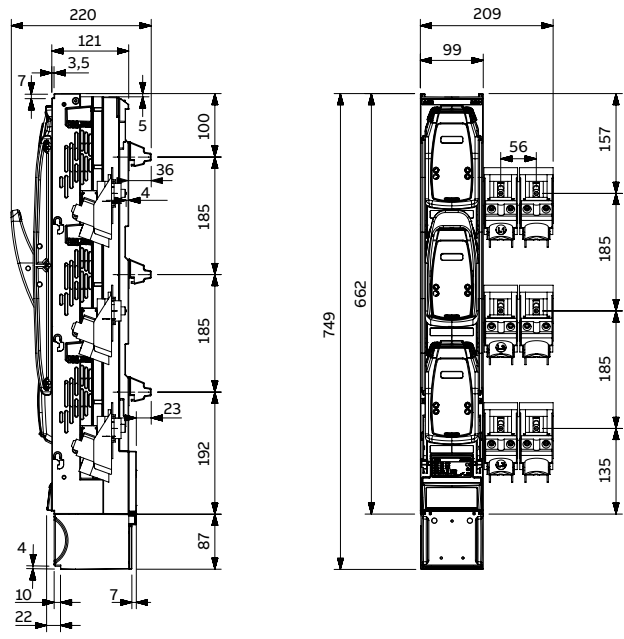
ZLBM2-1P-Z-M12
(1SEB000437)



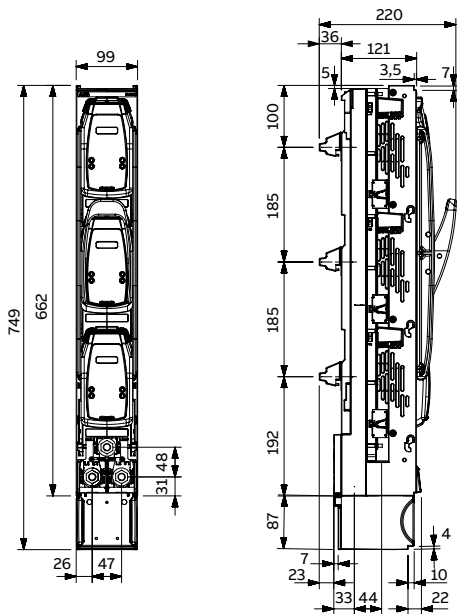
ZLBM3-3P-Z-SC
(1SEB000441)



ZLBM3-3P-Z-2SC
(1SEB000442)



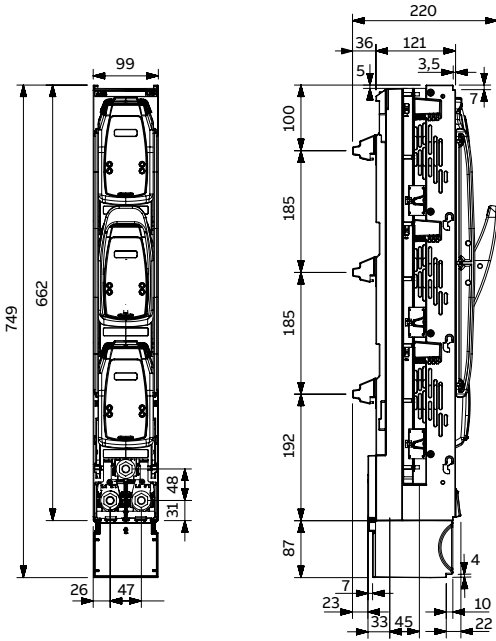
ZLBM2-3P-Z-M12
(1SEB000439)



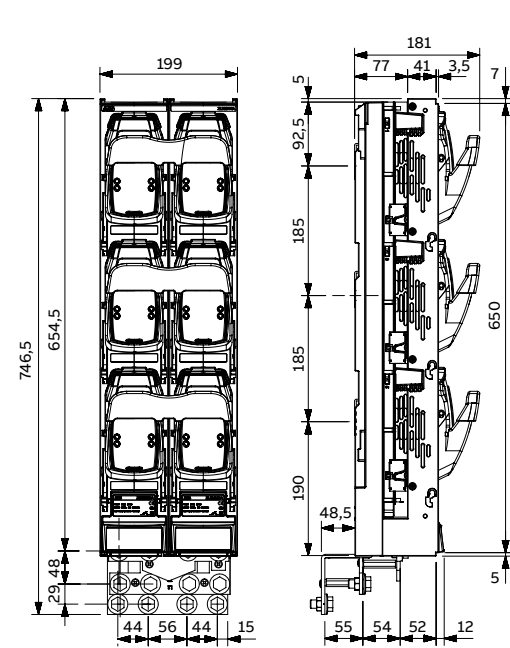
Dimension drawings

ZLBM123

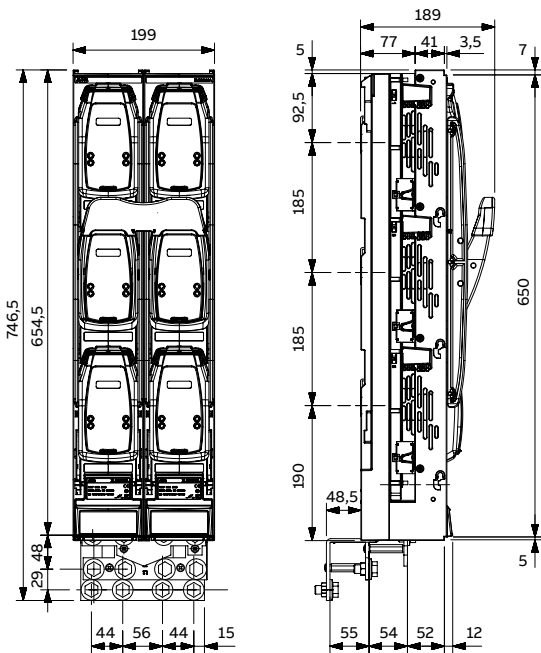
ZLBM3-3P-Z-M12
(1SEB000440)



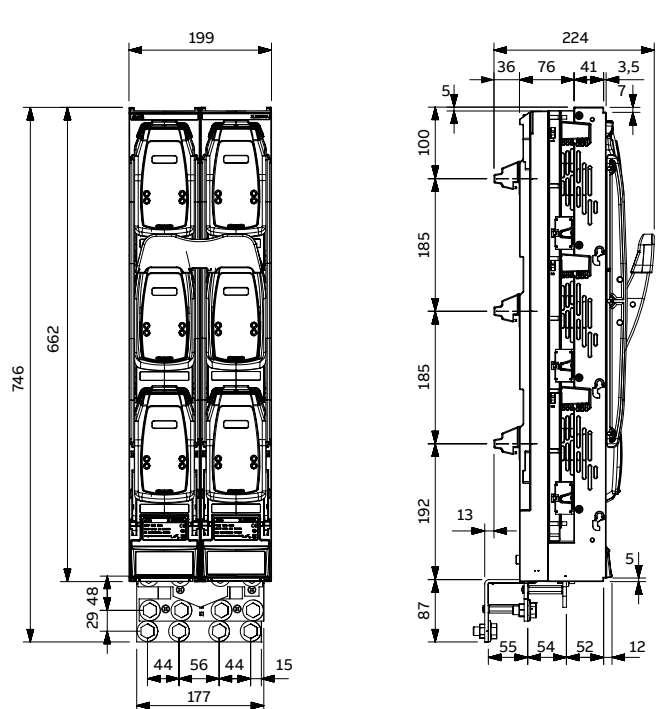
ZLBM800/1250-1P
(1SEB000409)



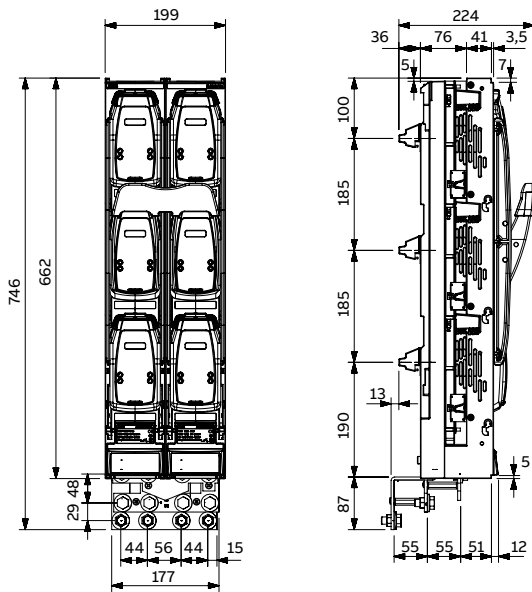
ZLBM800/1250-3P
(1SEB000410)



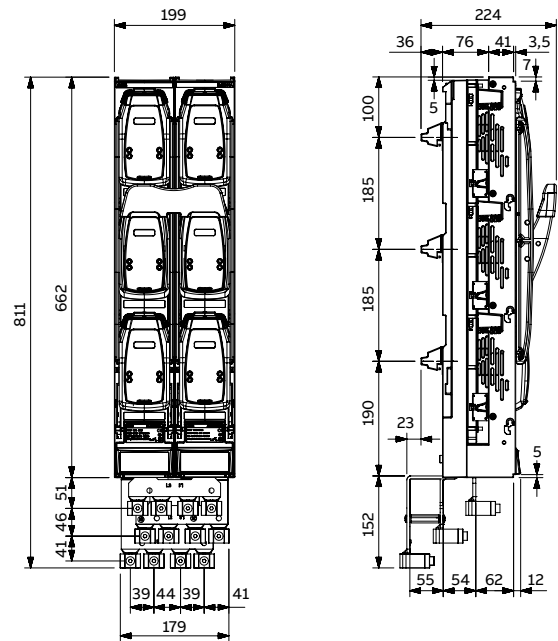
ZLBM800A-3P-Z-M12
(1SEB000443)



ZLBM1250A-3P-Z-M12
(1SEB000445)



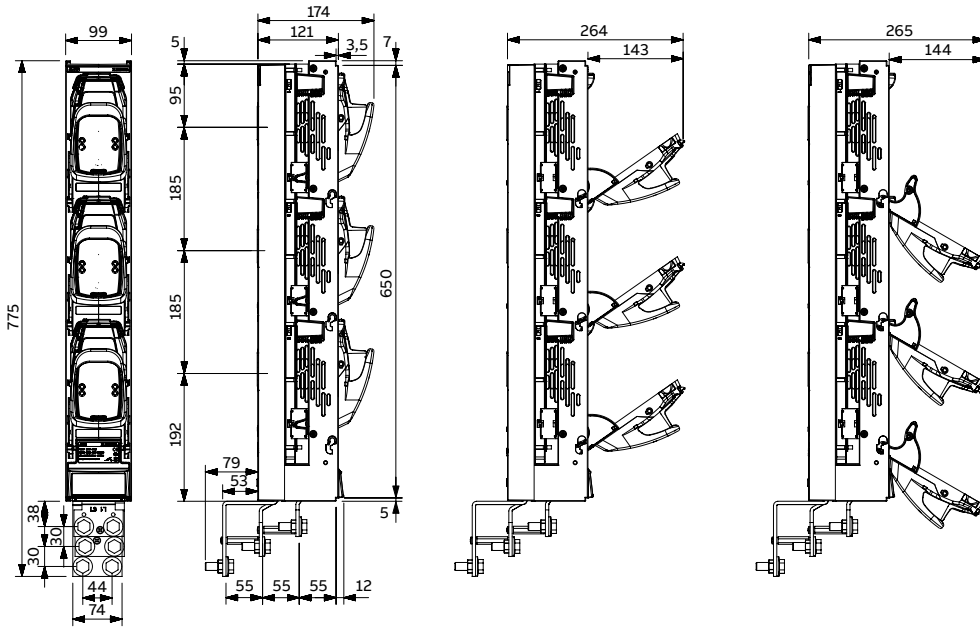
ZLBM800A-3P-Z-V
(1SEB000444)



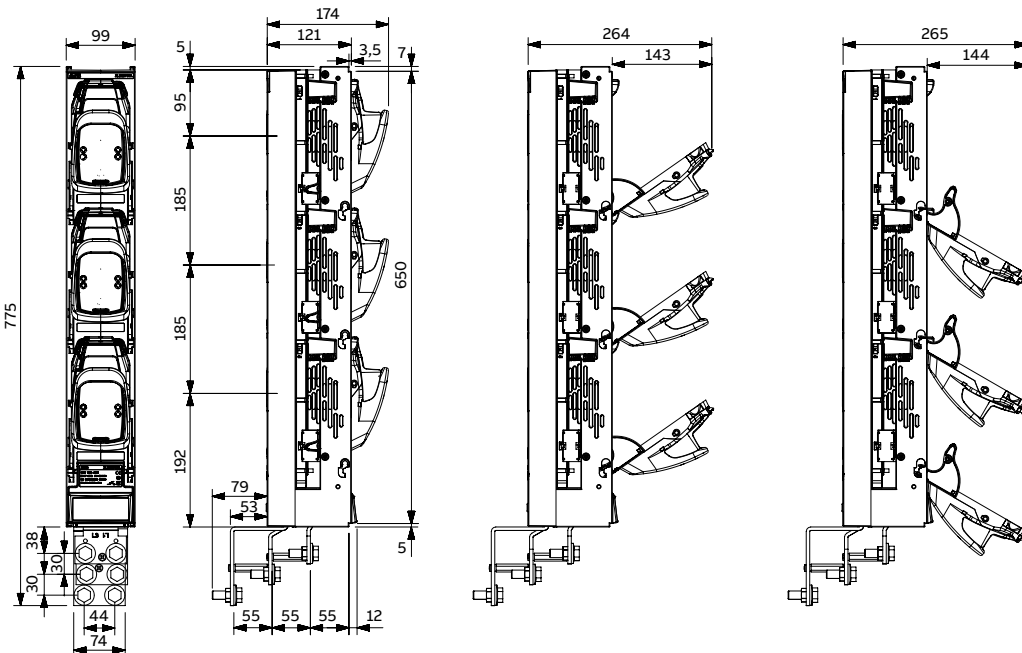
Dimension drawings

ZLBM910A

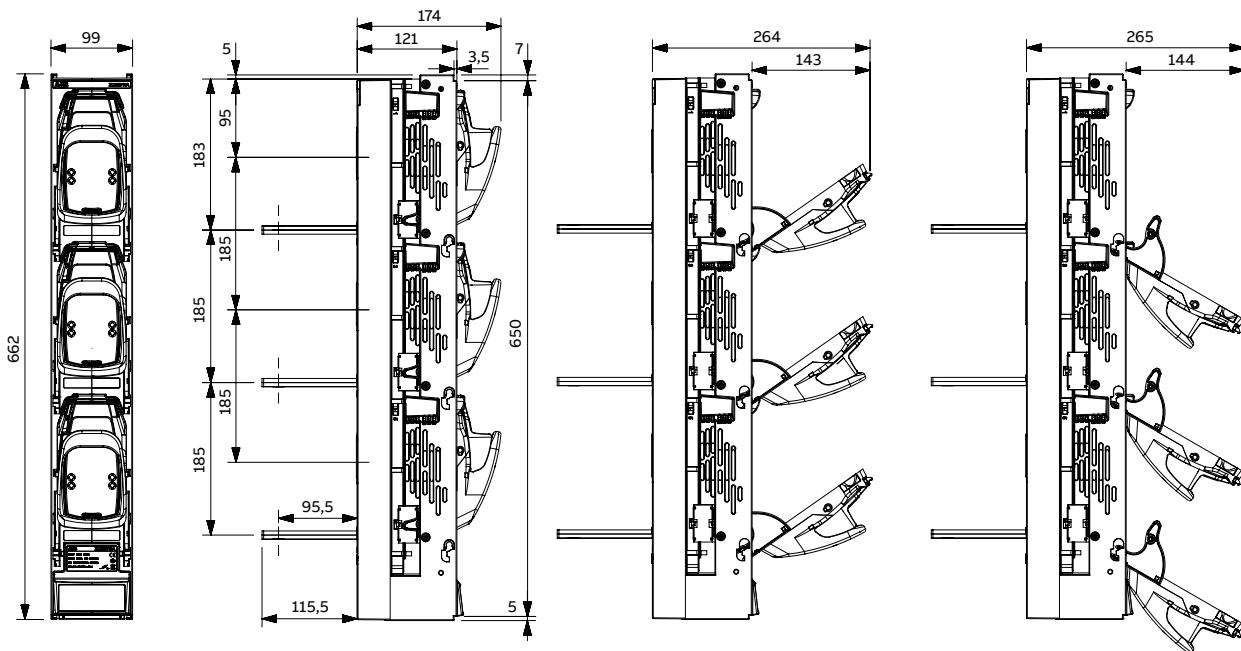
ZLBM910A-1P-M12
(1SEB000421)



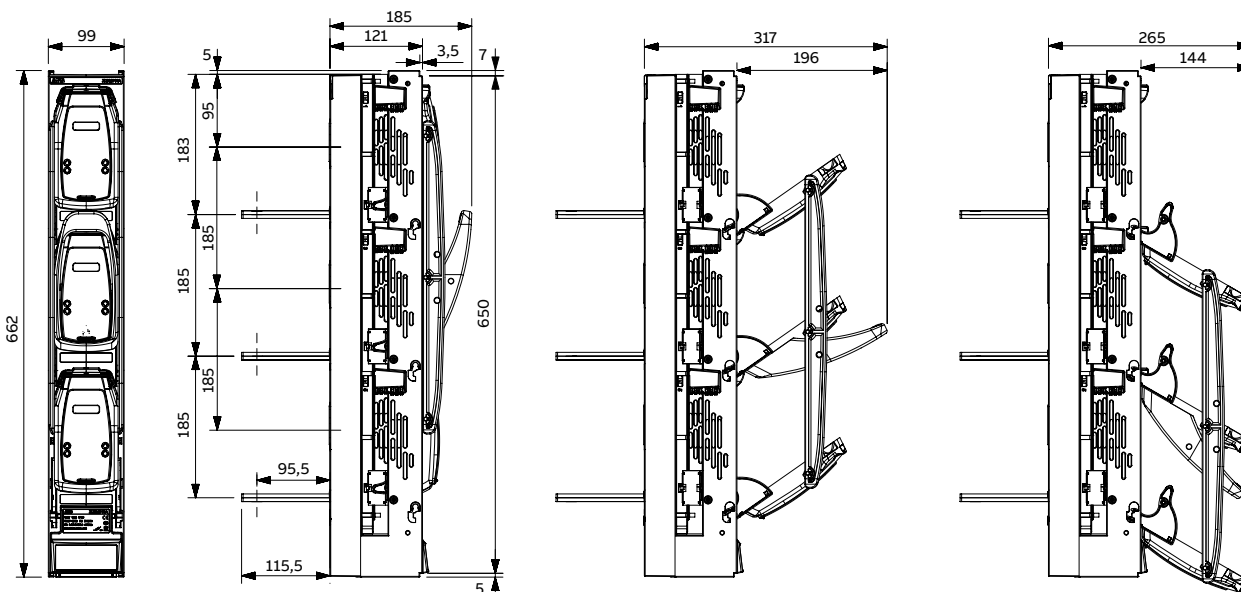
ZLBM910A-3P-M12
(1SEB000421)



ZLBM910A-1P-M12-MB
(1SEB000423)



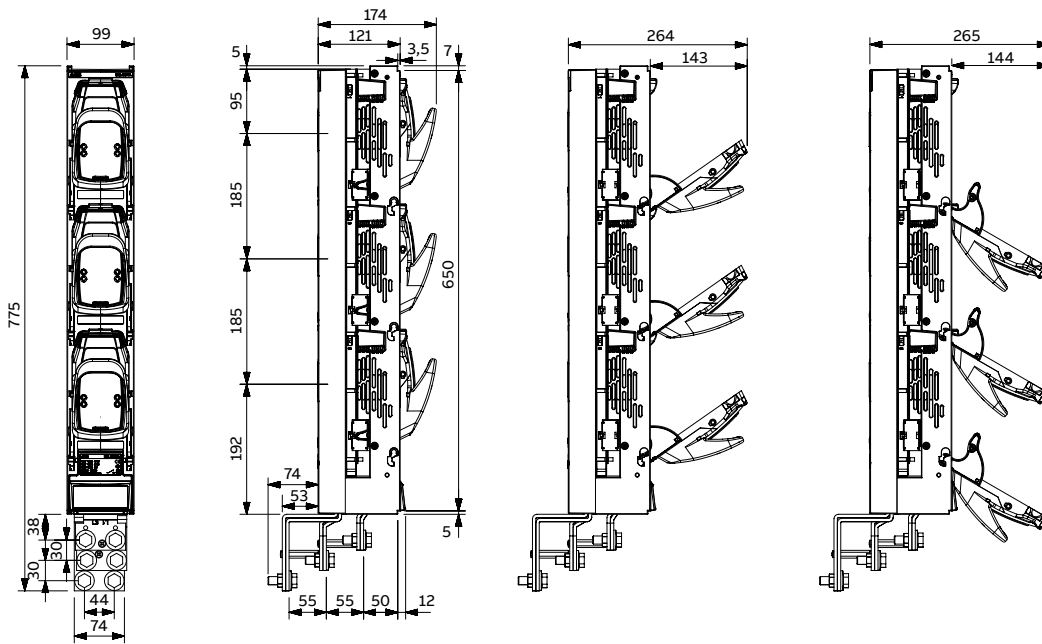
ZLBM910A-3P-M12-MB
(1SEB000424)



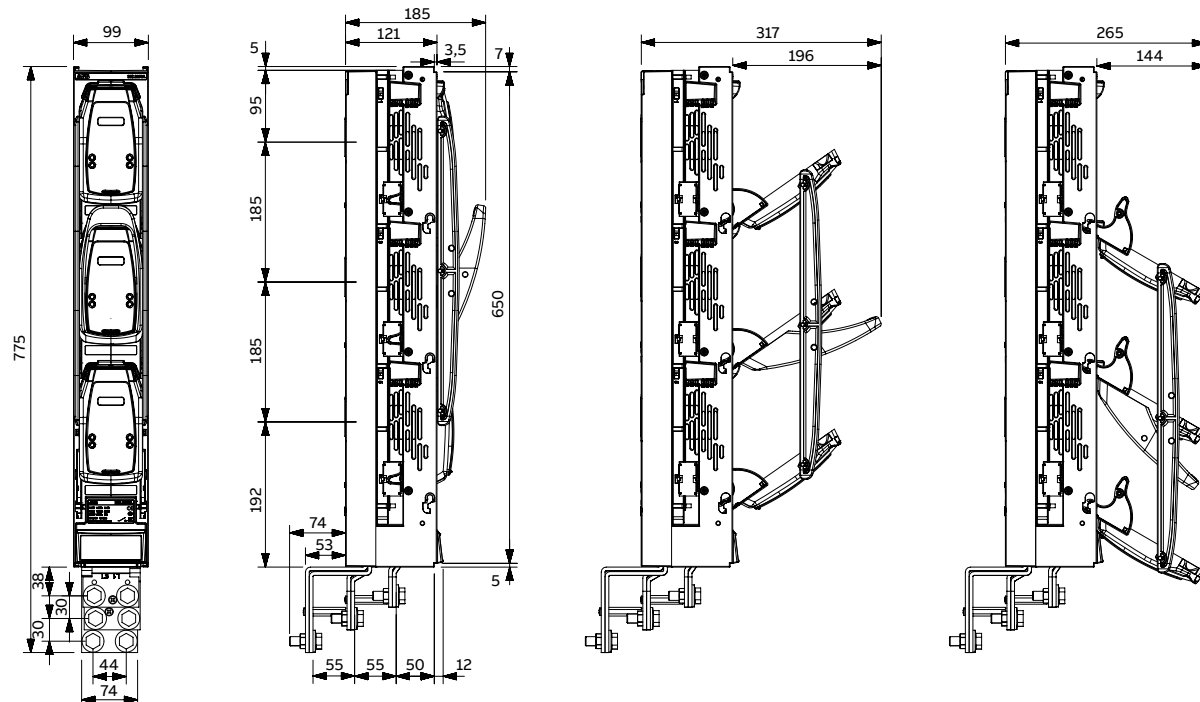
Dimension drawings

BZL1250A

BZL1250A-1P-M12
(1SEB000425)



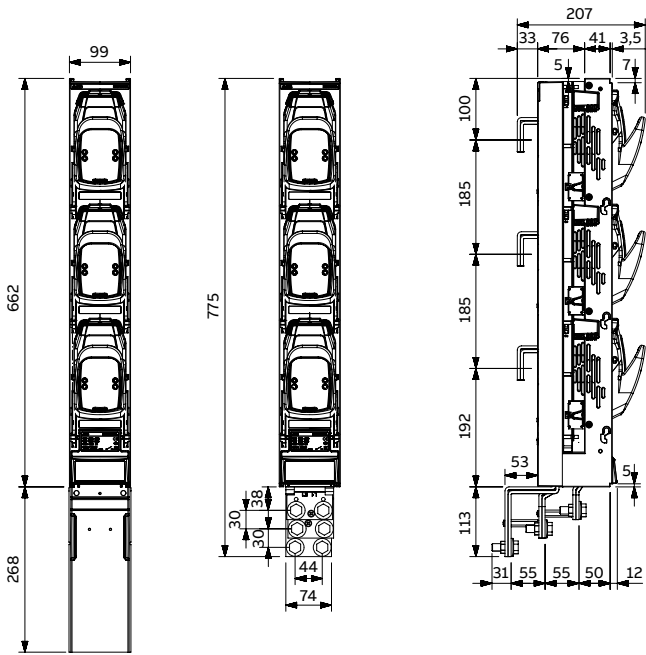
BZL1250A-3P-M12
(1SEB000426)



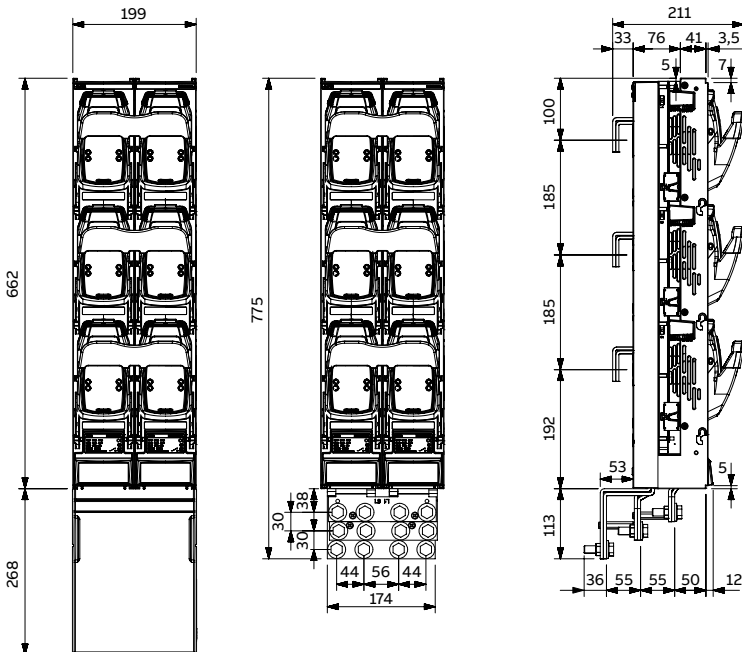
Dimension drawings

BZH1000A

BZH1000A-1P-3U-STS-M12-CS
(1SEB000450)



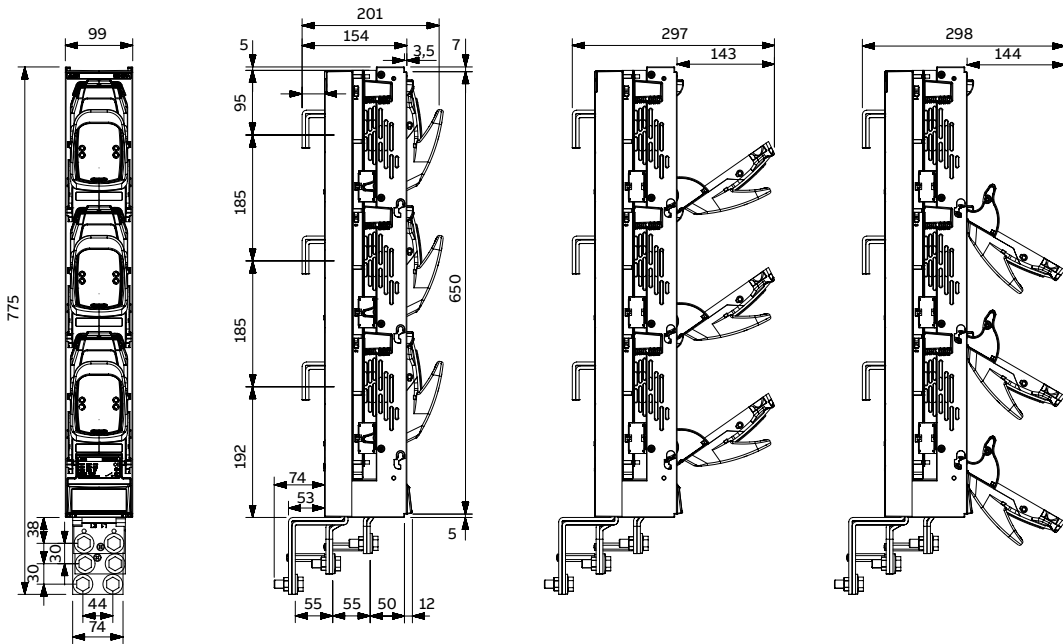
BZH1600A-1P-3U-STS-M12-CS
(1SEB000451)



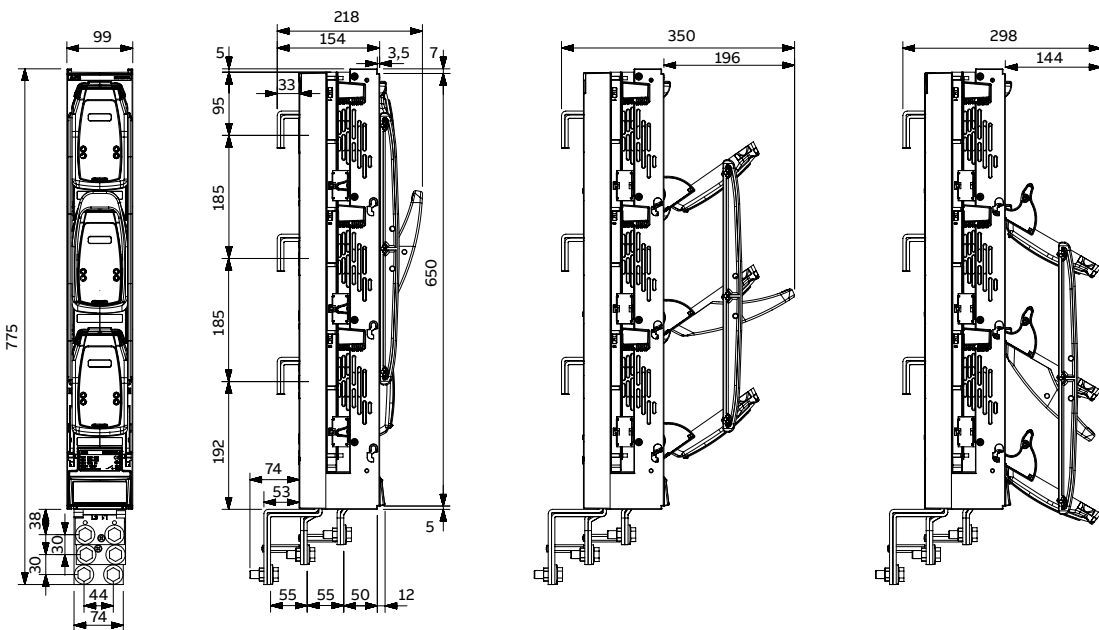
Dimension drawings

BZH1250A

BZH1250A-1P-M12
(1SEB000427)



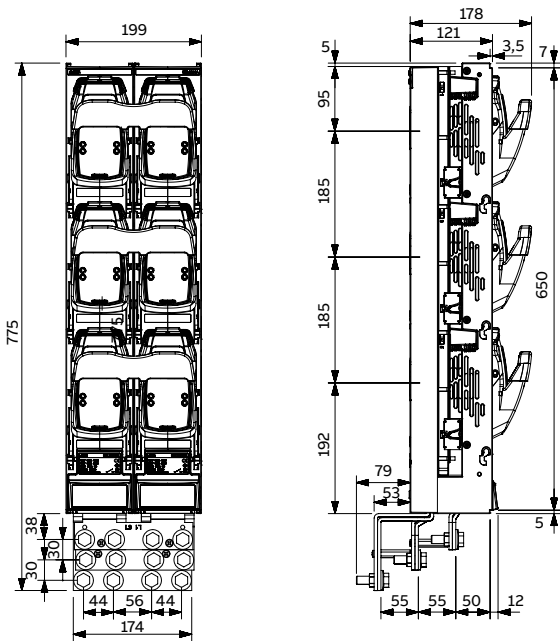
BZH1250A-3P-M12
(1SEB000428)



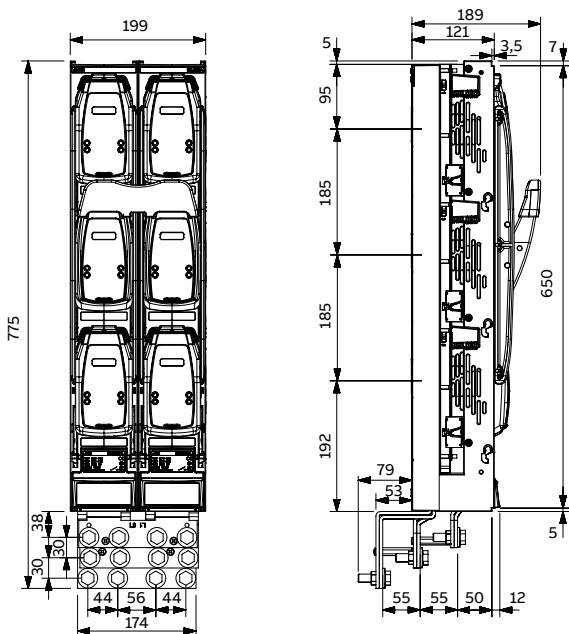
Dimension drawings

BZL2000A

BZL2000A-1P-M12
(1SEB000431)



BZL2000A-3P-M12
(1SEB000432)

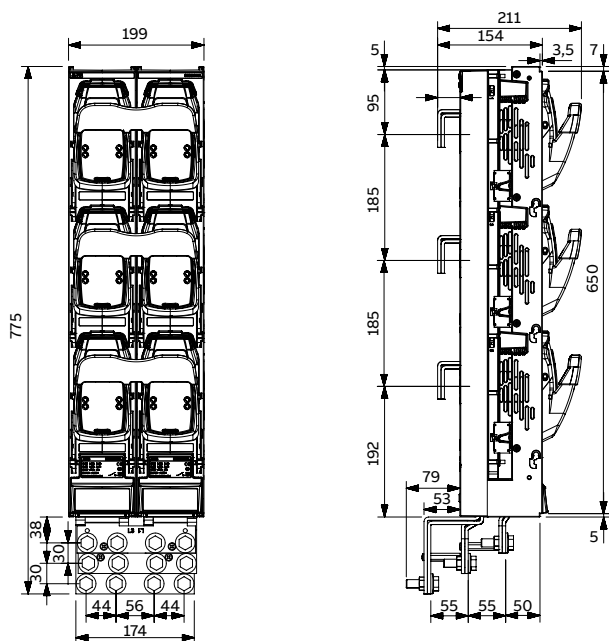


Dimension drawings

BZH2000A

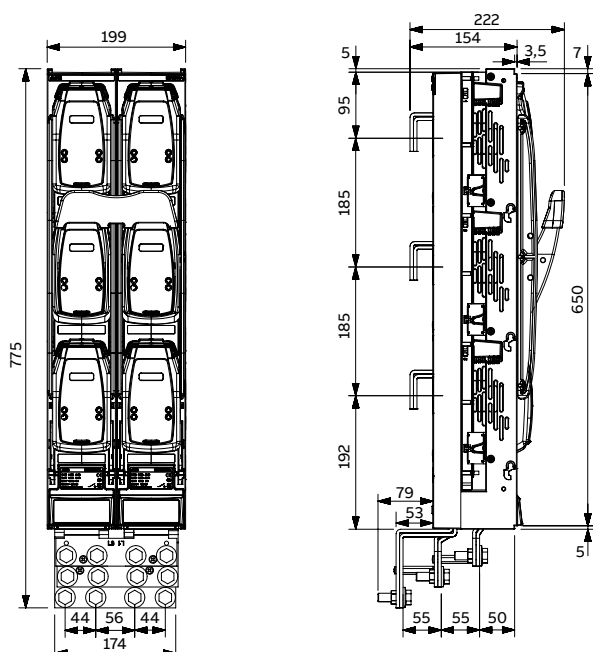
BZH2000A-1P-M12

(1SEB000429)



BZH2000A-3P-M12

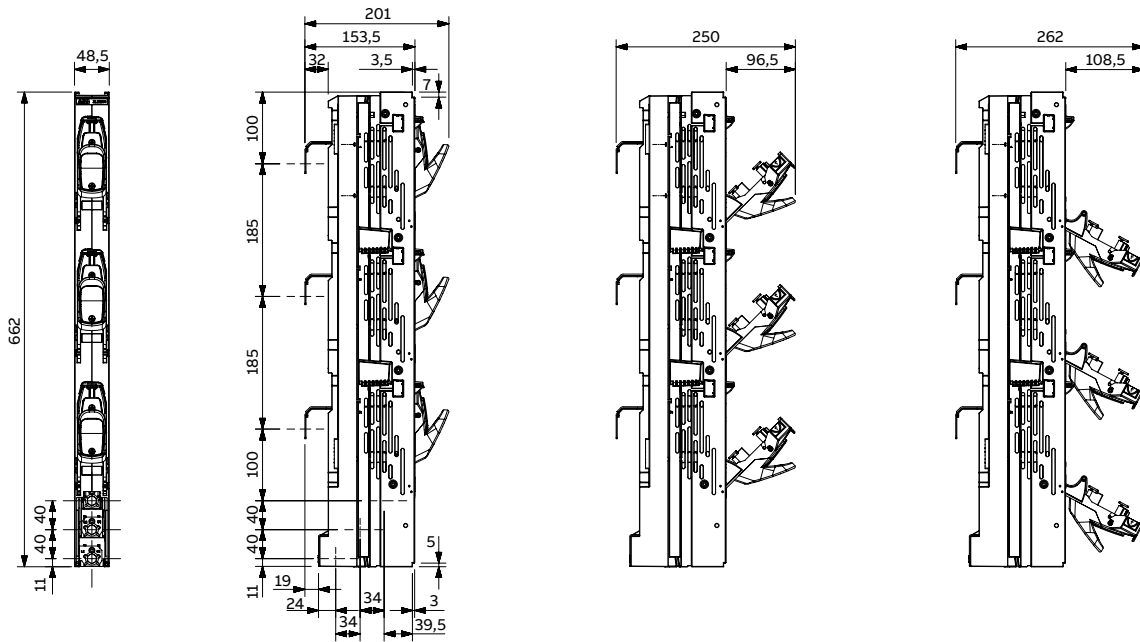
(1SEB000430)



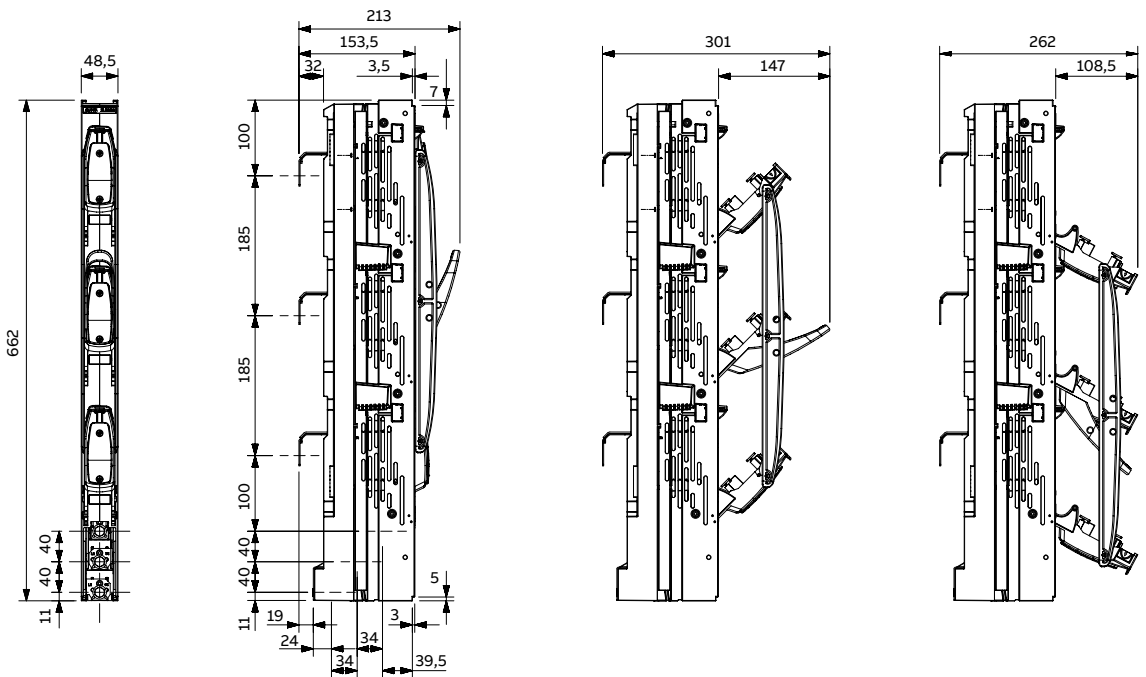
Dimension drawings

ZHBM00

ZHBM00-1P
(1SEB000330)



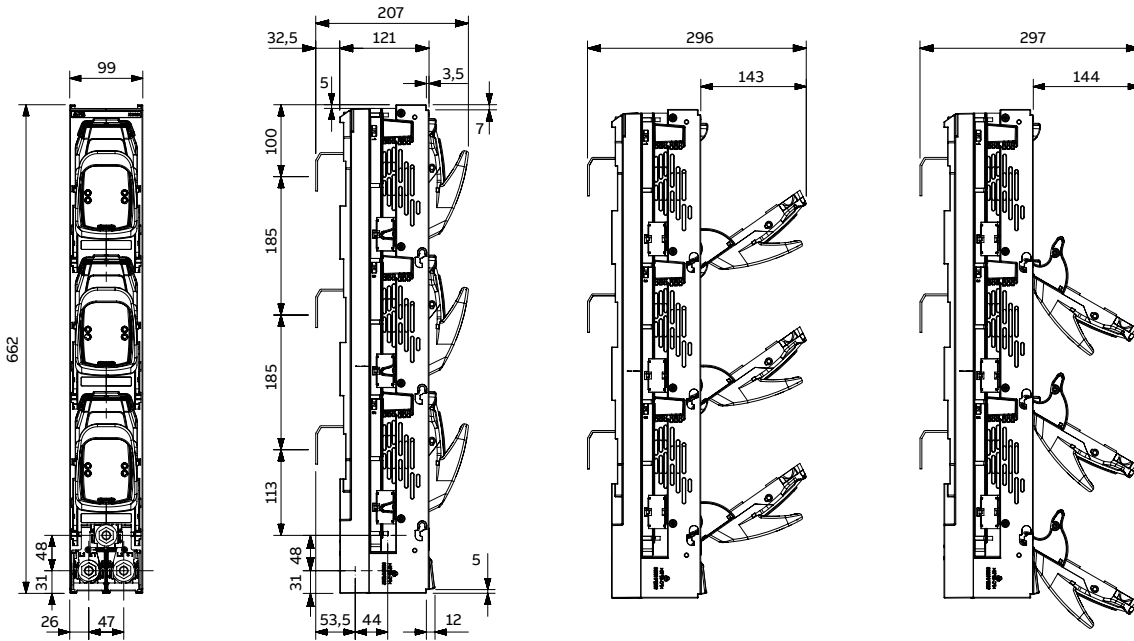
ZHBM00-3P
(1SEB000343)



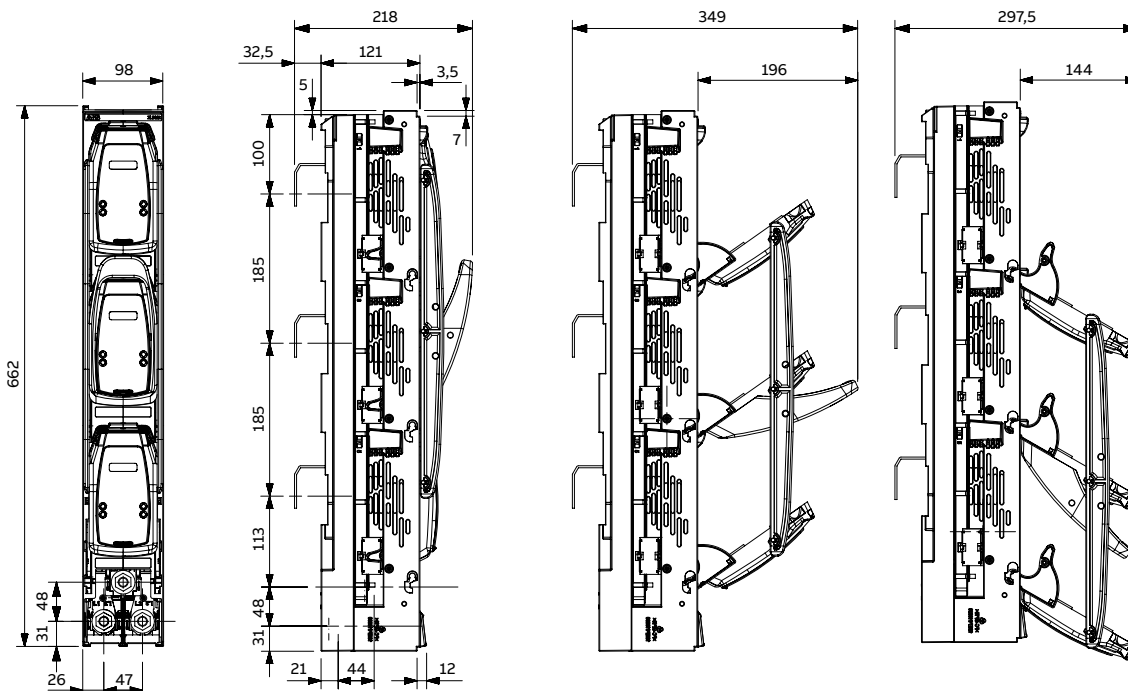
Dimension drawings

ZHBM123

ZHBM123-1P
(1SEB000327)



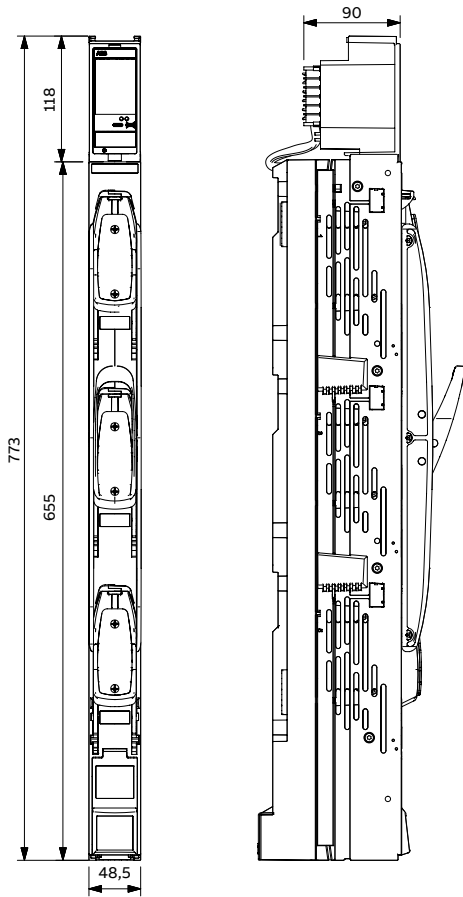
ZHBM123-3P
(1SEB000335)



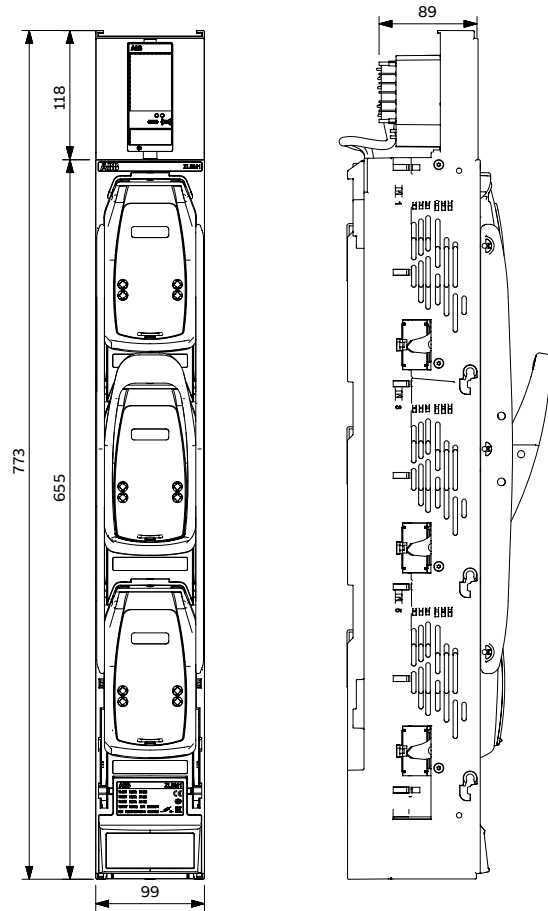
Dimension drawings

Electronic Fuse Monitoring (EFM)

ZLBM00-EFM



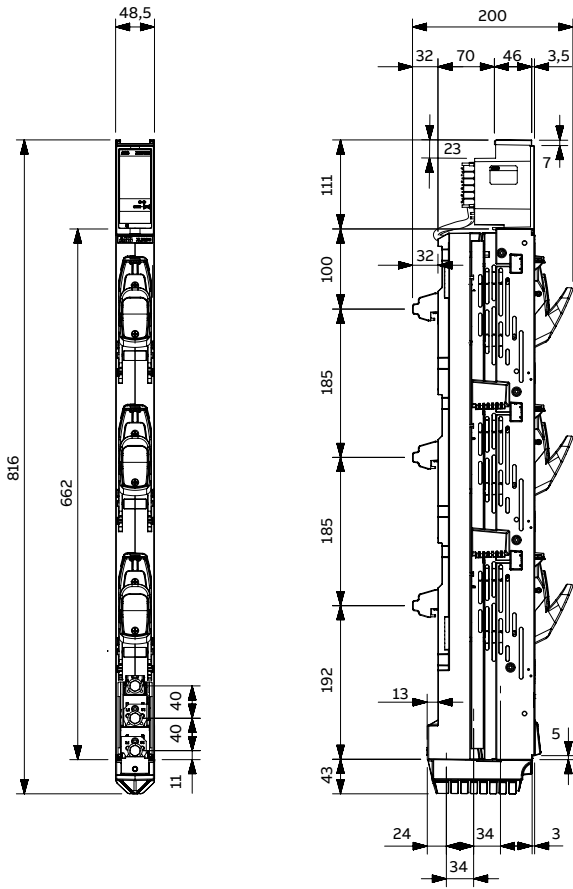
ZLBM123-EFM



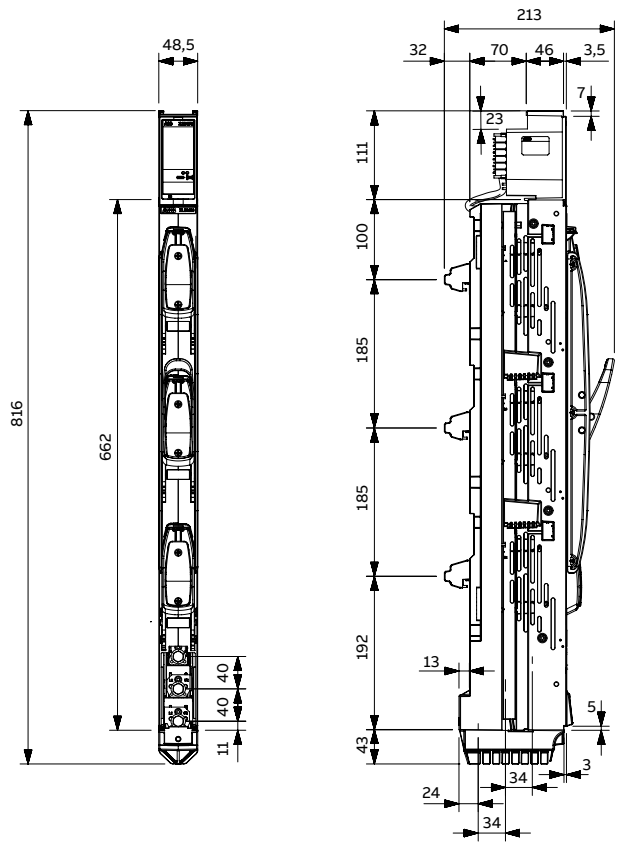
Dimension drawings

Electronic Fuse Monitoring (EFM)

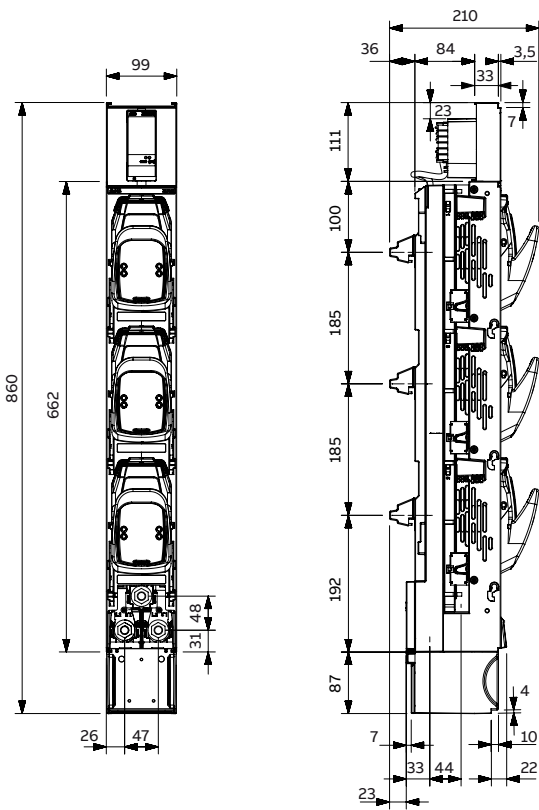
ZLBM00-1P-Z-M8-EFM
(1SEB000446)



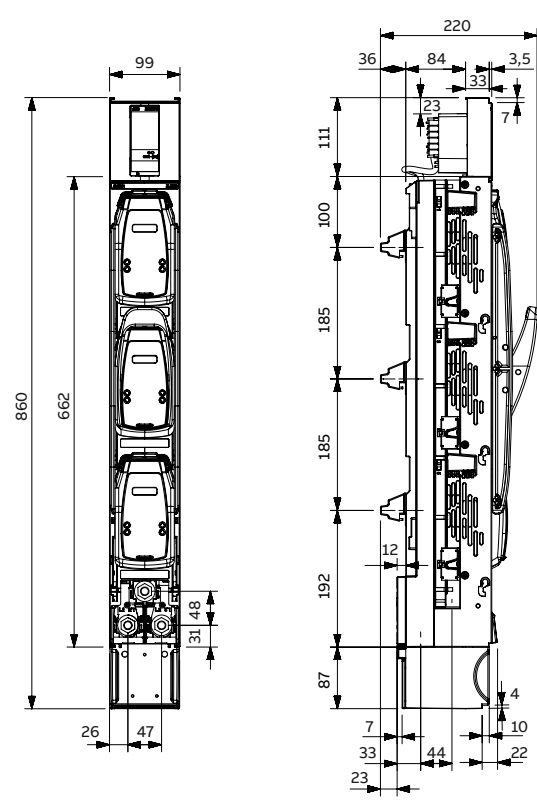
ZLBM00-3P-Z-M8-EFM
(1SEB000448)



ZLBM2-1P-Z-M12-EFM
(1SEB000447)



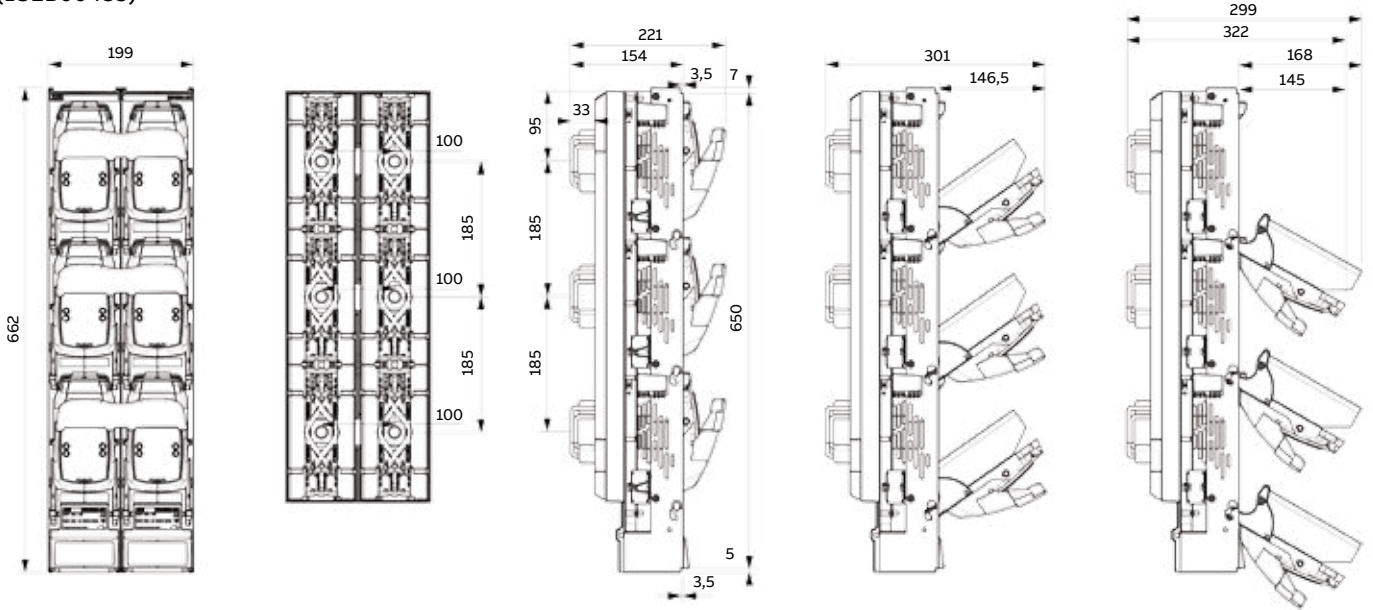
ZLBM2-3P-Z-M12-EFM
(1SEB000449)



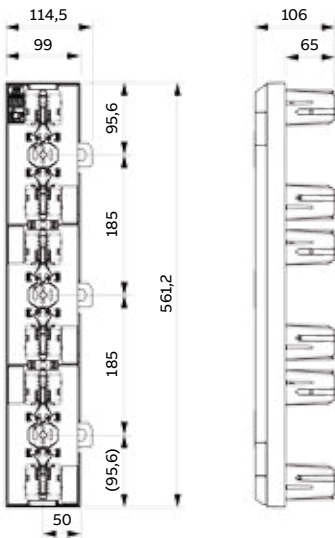
Dimension drawings

Bus Couplers

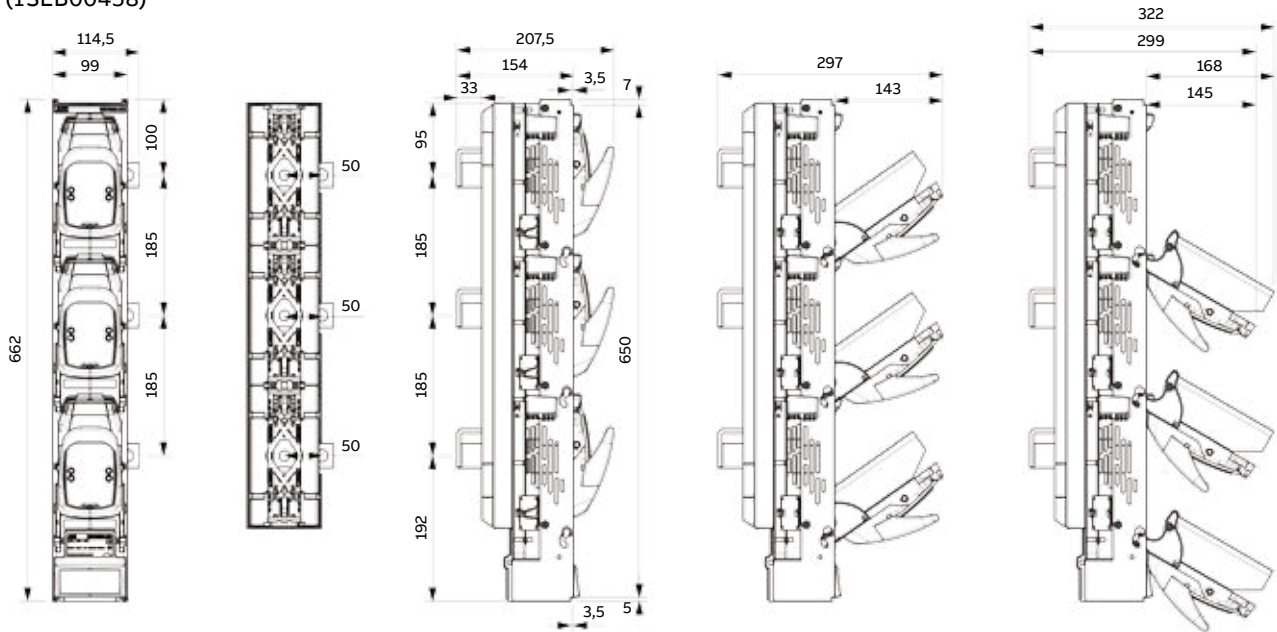
BZH1600-1P-BC, BZH2000-1P-BC
(1SEB00459)



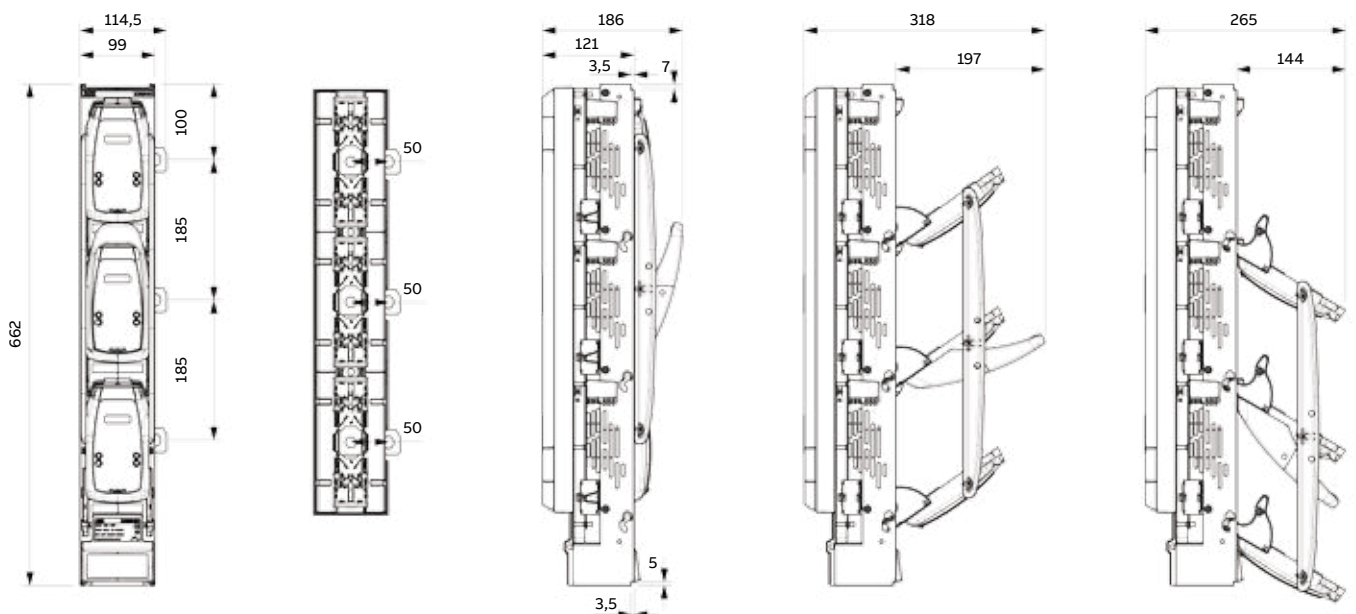
ZUBM3-BC
(1SEB00456)



BZH1000-1P-BC, BZH1250-1P-BC
(1SEB00458)



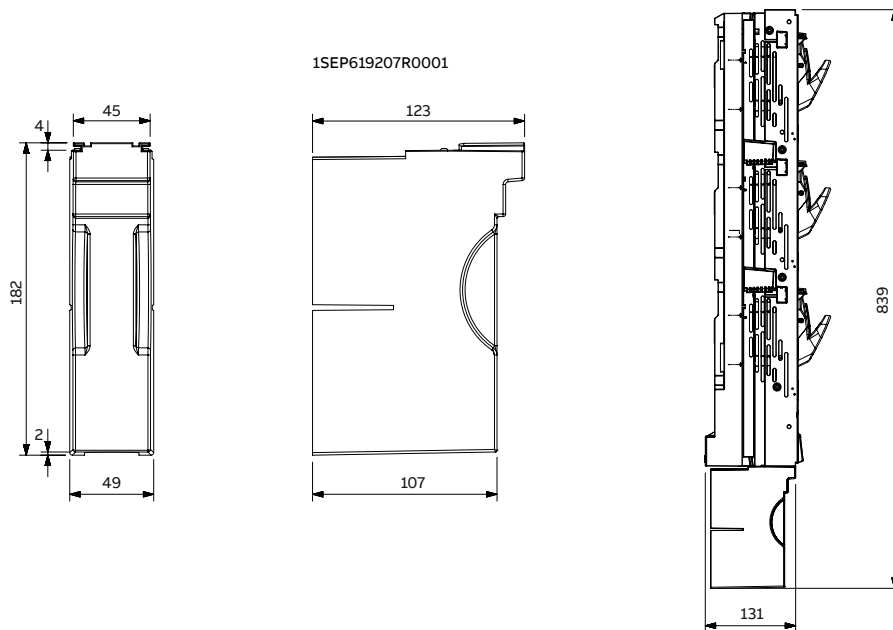
ZLBM2-BC, ZLBM3-BC
(1SEB00457)



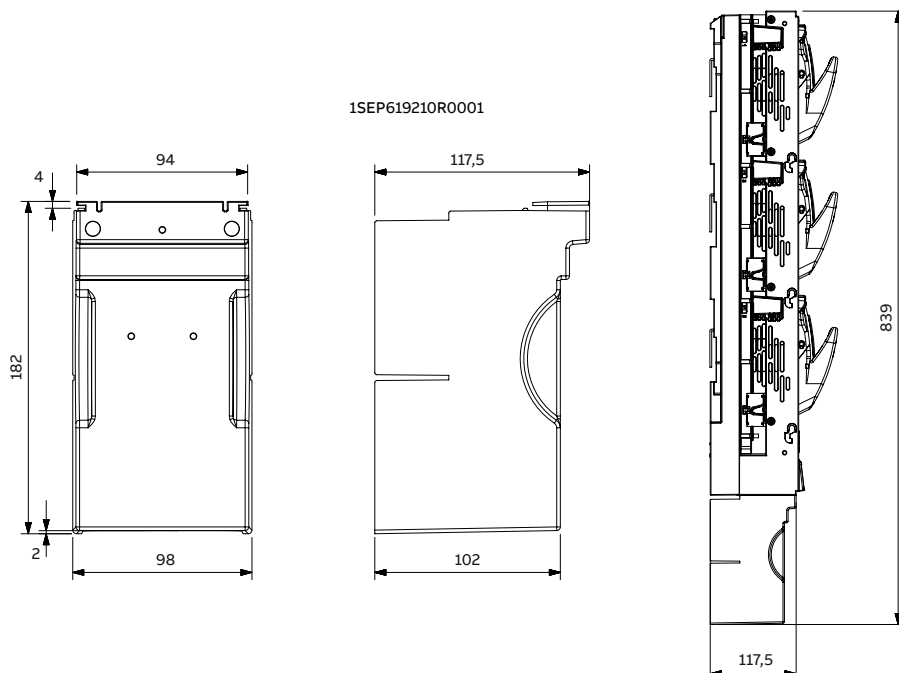
Dimension drawings

Cable shrouds

ZLBM00
(1SEB000345)

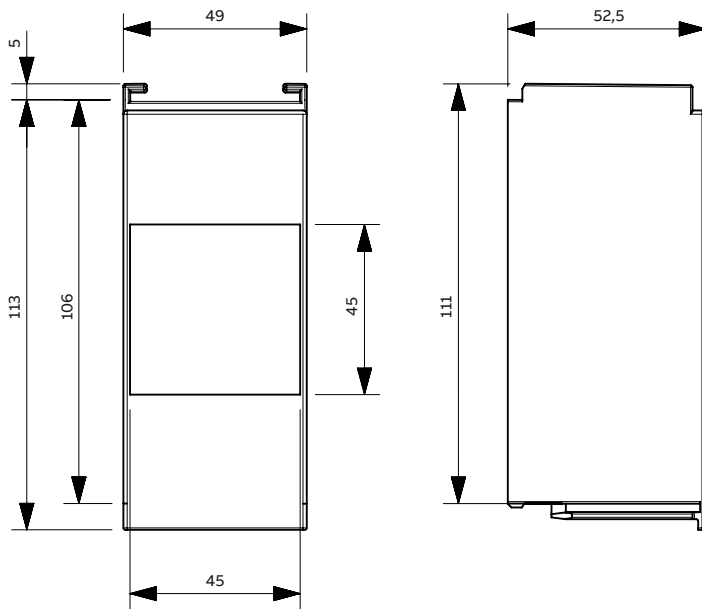


ZLBM123
(1SEB000329)

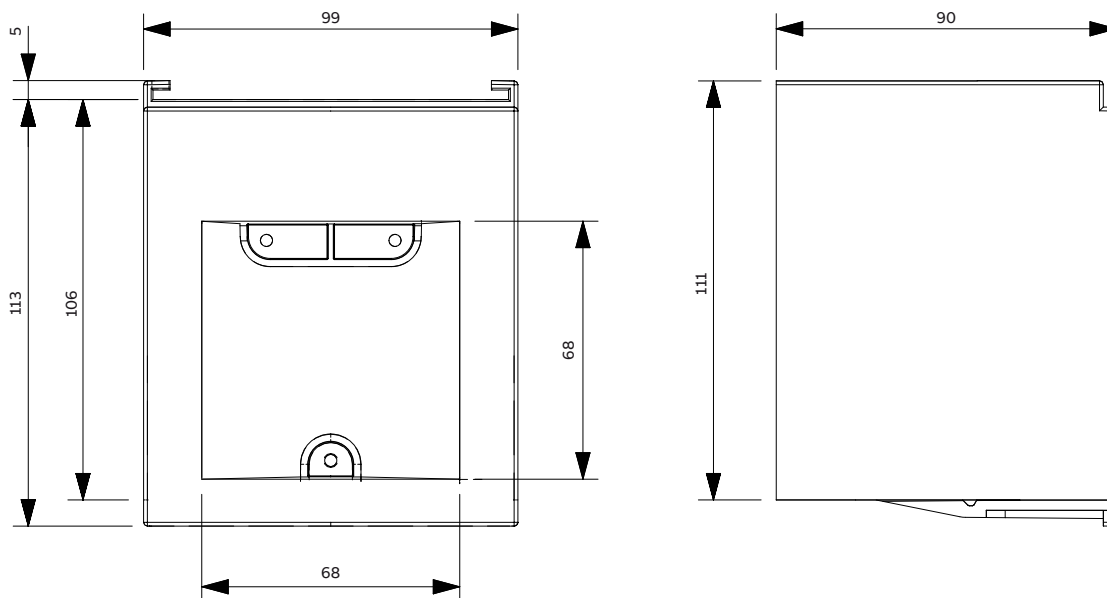


Dimension drawings
Ammeter house

ZLBM00
(1SEB000392)



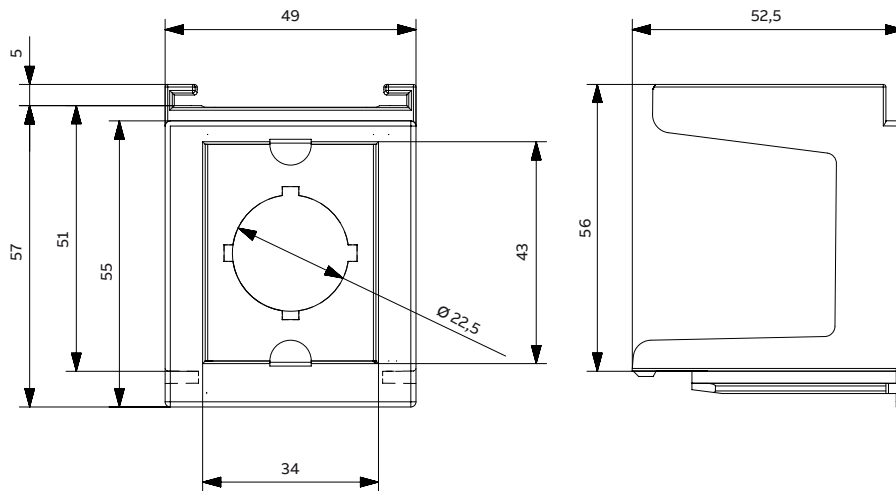
ZLBM123
(1SEB000399)



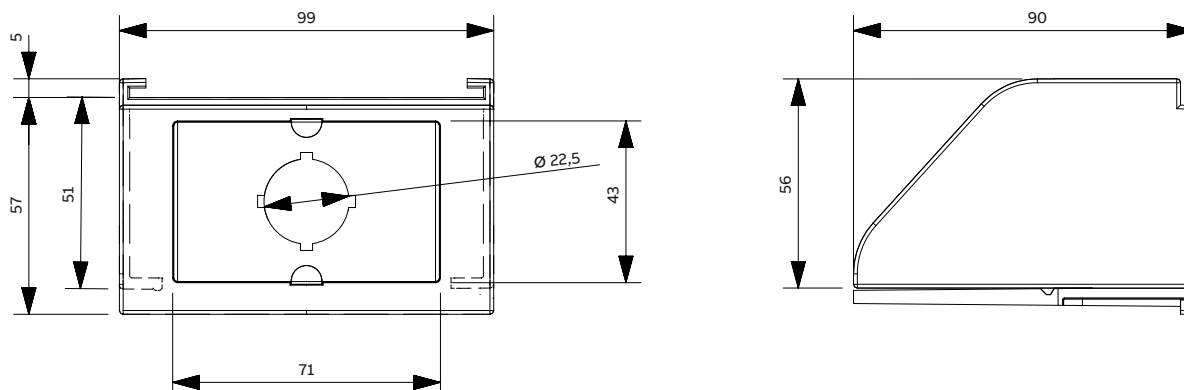
Dimension drawings

Label holders

ZLBM00
(1SEB000391)



ZLBM123
(1SEB000398)





Note

A series of horizontal lines for writing, filling most of the page below the "Note" header.

—
ABB Oy
Protection and Connection

P.O. Box 622
FI-65101 Vaasa
Finland

www.abb.com

Find the address of your local sales organization on the ABB homepage:

www.abb.com/contacts
> Low Voltage Products and Systems

Additional information

We reserve the right to make technical changes or modify the contents of this document without prior notice. With regard to purchase orders, the agreed particulars shall prevail. ABB does not accept any responsibility whatsoever for potential errors or possible lack of information in this document.

We reserve all rights in this document and in the subject matter and illustrations contained therein. Any reproduction, disclosure to third parties or utilization of its contents – in whole or in parts – is forbidden without prior written consent of ABB.

© Copyright 2017 ABB. All rights reserved.

